



ANTENNA  
MAKES THE  
DIFFERENCE



**Worldwide By**  
**Calero Antenne S.p.a.**  
Via Bacchiglione, 49  
36033 - Isola Vicentina, (VI) - ITALY  
Tel. (+39) 0444 901311 - Fax (+39) 0444 901375  
**info@calero.com - www.calero.com**

**GENERAL CATALOGUE 2021**





antenne  
**CALEARO**<sup>®</sup>  
*Magister Antennae*

## WE ARE "ANTEMNAE MAGISTER": THE MASTERS OF THE ANTENNA.

*Calereo Antenne is a company that was born together with a family: the one created by Alessio Calereo and Lucia Ciman, who, at the end of the 1950s, devoted their energies to lay the foundations what is the industrial group we know today.*

*Since 1957 our goal and our values have remained unaffected, we have maintained the same passion and the same energy that my parents have transmitted to us and that led Calereo Antenne until today.*

*"Execute our business using the most advanced technologies to produce the leading solutions in the field of connectivity, bearing in mind that there are people be-*

*hind this technology": this is the first value that my father chose for its company. This is reason why our strength is in the team, a group made up of all the people who share our experience, our passion and our commitment. The beating heart of Calereo Antenne are the those who work together every day and who recognize the success of the company as a common goal.*

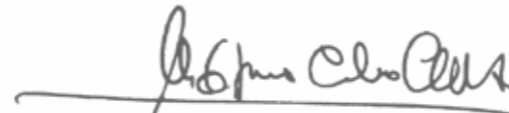
*It has been more than sixty year since we first look into the connectivity world. Since then, we have made signal transmission our flag. We have built our research centre, the brain of our group, which, thanks to the unceasing dialogue with several Italian and international universities,*

*guarantees us to be at the forefront of technology. We have grown in terms of numbers, experience and competence. Today we are proud to supply over 20 car manufacturers directly.*

*We are a family business with international vision. Our heart is in Italy and our gaze is always towards new horizons. We want to be the leaders in the production of antennas and connectivity systems for cars, and we do it as ambassadors of Made in Italy in the world. We like to consider limits as opportunities, technological excellence as a starting point, and the constant effort towards technological evolution as a star to aim for.*

*Nevertheless, we have never forgotten where we started from, nor who accompanied us on our journey, all the people who have contributed to make our company great over the years.*

*The world moves rapidly and Calereo Antenne keeps up with it. We are ready to face all unexplored challenges, offering dedicated solutions to our partners globally, joining forces with them in developing new technologies in their specific field. We are "Antemnae Magister": the masters of the antennas.*



**Massimo Calereo Ciman**  
Chairman





## **CALEARO ANTENNE**

### **Vision**

*Magister Antemnae: being best in class in connectivity.  
Becoming excellence in your target market.*

### **Mission**

*Being a reference supplier, with profitability,  
of highly innovative solutions for market leaders  
and some niches in the world of connectivity*

## **RESEARCH, DEVELOPMENT AND INNOVATION**

Evolution plays a special role for Calearo Antenne. Research and development are both a commercial necessity and a constant investment: a look into the future, to remain at the forefront of technology and lead the sector.

Calearo Antenne has always boasted flexibility and the ability to react quickly to market demands, qualities that allow us to face the challenges that the globalized world raises today, and to anticipate those of tomorrow.

**All this is CE.R.CA:  
Calearo Research Center  
(Centro di Ricerca Calearo).**

The Calearo Research and Development Center, or Ce.R.Ca., is the fulcrum, the engine and the technological soul of Calearo, it is the "place" for the construction of competitiveness from which the leadership of the company and the continuous drive to the future, to innovation and experimentation.

Inaugurated in 2005, the Ce.R.Ca. today employs about 50 highly qualified researchers including PhDs, engineers, physicists and specialized technicians dedicated to research and development for all phases of product advancement, from design to production, working in synergy with national and foreign universities and research centres.



**HO**  
**ITALY**  
Isola Vicentina

**TUNISIA**  
Zaghuan

**SLOVAKIA**  
Samorin

**CHINA**  
Ghangzou



## CERTIFICATIONS

For Calearo, continuous improvement is a recurrent activity aimed to increase performance.

The path of defining objectives and identifying opportunities of improvement is a continuous process that apply the results and conclusions of the audit, data analysis, management review and other dedicated means. It generally involves corrective or preventive actions.

Performance is a measurable result that can refer to something qualitative or quantitative, being management activities, processes, products, services, system or organization.

Continuous improvement is nothing more than the process of becoming a more effective organization, an incremental path made up of many small steps towards a better professional future.

## CALEARO IN THE WORLD

Calearo Antenne defines itself as a "glocal" company, which operates in a globalized world, but draws energy from its roots deep in Italian ingenuity.

The choice that has always distinguished us is to be constantly in touch with our customers and their markets. For this reason, over the years, we strived to expand our commercial network all over the world.

To be present at the hotspots of global automotive manufacturing is a central point for us.

Technology evolves fast, and so do the increasingly peculiar demands of the market. Our factories in Italy, Slovakia, Tunisia and China allow us to respond efficiently and effectively to all the market's needs.

## BROADCASTING 11

SHARK 3 .....	12
SHARK 2 .....	13
SHARK 2 CUSTOM .....	15
SHARK 1 .....	17
16 V .....	18

FRONT ROOF .....	24
FLEXI .....	26
TELESCOPIC .....	28
INTERNAL MOUNTING .....	30
FOIL .....	33



## TELEMATICS 35

RADOME COMPACT .....	36
SHARK 2 .....	37
ON ROOF .....	38
MAGNETIC .....	38

LUNEX .....	39
INTERNAL .....	40
LOCATIONING .....	41



## CRITICAL 43

RADOME .....	44
EMERGENCY SERVICES .....	45
16 V .....	46

SHARK 2 .....	49
RSA .....	50
QUAD .....	52



## BUILDINGS 55

ARRAY .....	56
FIBERGLASS .....	57

COMPACT .....	58
MODEM .....	59



## SERVICE BOX 61

DAB & PLAY .....	62
SPLITTER .....	64

LOCATIONING .....	66
RADIO .....	67

## ADAPTERS & CABLES 69

ADAPTERS .....	70
EXTENSION CABLES .....	73

TABLE OF CONNECTORS .....	75
---------------------------	----

## ACCESSORIES & SPARE PARTS 77

HOLE ADAPTERS .....	78
HOUSING FAKRA .....	78
ROD FOR SINGLE FUNCTION ANTENNAS ...	79

ROD FOR MULTIFUNCTIONAL ANTENNAS ..	80
ROD FOR CRITICAL ANTENNAS .....	81
ROD FOR GSM ANTENNAS .....	81

## AUDIO & VIDEO 83

RADIO .....	84
SPEAKER .....	86
MONITOR .....	87
REAR VIEW CAMERA .....	88

EXTENSION CABLE & ADAPTERS FOR VIDEO SYSTEMS .....	90
MOUNTING ACCESSORIES .....	91
LEGEND OF ICONS .....	93



INDEX PER PART NUMBER .....	94
-----------------------------	----

## BROADCASTING

SHARK 3 .....	12
SHARK 2 .....	13
SHARK 2 CUSTOM .....	15
SHARK 1 .....	17
16 V .....	18
FRONT ROOF .....	24
FLEXI .....	26
TELESCOPIC .....	28
INTERNAL MOUNTING .....	30
FOIL .....	33

*The high quality of Calearo antennas and cables allows to create a reception system able to optimize the sound inside the car by making the most of all its features. Fitted to a saloon or a micro car, or even a cabin of an agricultural vehicle, our antennas guarantee total functional efficiency, reliability, durability and top reception.*



**SHARK 3** NEW

ROOF ANTENNA

AVAILABLE VERSIONS

	AM / FM	DAB	GNSS	LTE
P/N: 7677520 - QUAD	•	•	•	•
P/N: 7677510 - TRIPLEX	•	•	•	
P/N: 7677500 - COMBI RADIO	•	•		

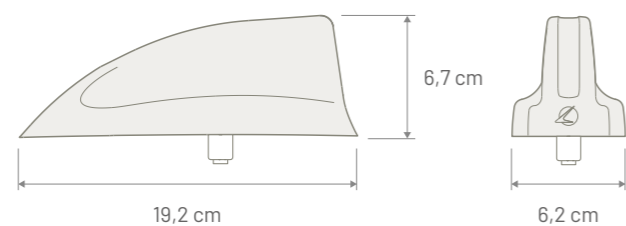
TECHNICAL SPECIFICATION

	AM / FM	DAB	GNSS	LTE
Connector	FAKRA Male White	FAKRA Male Black	FAKRA Male Blue	FAKRA Male Bordeaux
Cable Type	RG 174	RG 174	RG 174	RG 174
Cable Length	200 mm	300 mm	400 mm	250 mm
Power Supply	12 Volt Phantom	12 Volt Phantom	3 - 5 Volt Phantom	--
Consumption	63 mA	40 mA	31 mA	--
Impedance	FM: 50 Ω	50 Ω	50 Ω	50 Ω
Gain	--	6 dBi	28 dBi	Peak: 4 dBi Average: -4 dBi
VSWR	FM < 2:1	< 3:1	1.7:1	3:1
Max Power	--	--	--	4 Watt
Protection Class	IP69			
Coachwork drilling	Round: 17 mm			

Note



Dimensions



**SHARK 2**

ROOF ANTENNA

AVAILABLE VERSIONS

	AM / FM	DAB	GNSS
P/N: 7677810 - TRIPLEX	•	•	•
P/N: 7677815 - COMBI RADIO	•	•	
P/N: 7677820 - DAB		•	
P/N: 7677825 - DUPLEX	•		•
P/N: 7677830 - RADIO	•		

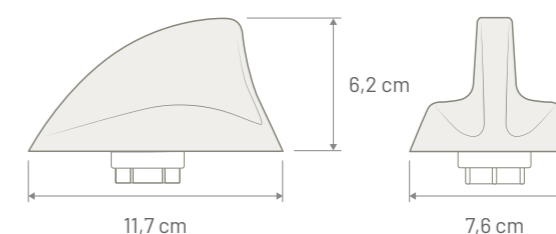
TECHNICAL SPECIFICATION

	AM / FM	DAB	GNSS
Connector	FAKRA Male White	FAKRA Male Black	FAKRA Male Blue
Cable Type	RG 174	RG 174	RG 174
Cable Length	250 mm	250 mm	250 mm
Power Supply	12 Volt Dedicated and Phantom	12 Volt Dedicated and Phantom	3 - 5 Volt Phantom
Consumption	50 mA max	50 mA max	31 mA
Impedance	50 Ω	50 Ω	50 Ω
Gain	--	2 dBi	28 dBi
VSWR	--	< 3:1	1.7:1
Protection Class	IP68		
Coachwork drilling	Square: 15 x 15 mm - Round: 19 mm		

Note



Dimensions





## SHARK 2 TV

ROOF ANTENNA

### AVAILABLE VERSIONS

	AM / FM	DTT	GNSS
P/N: 7727083 - TRIPLEX TV	•	•	•
P/N: 7727082 - COMBI TV	•	•	

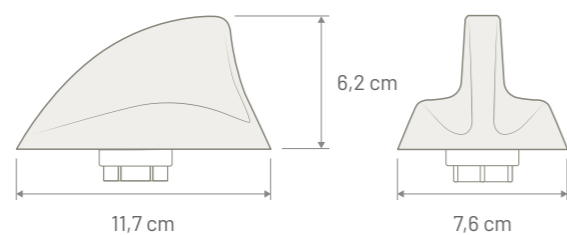
### TECHNICAL SPECIFICATION

	AM / FM	DTT	GNSS
Connector	FAKRA Male White	FAKRA Male Green	FAKRA Male Blue
Cable Type	RG 174	RG 174	RG 174
Cable Length	250 mm	250 mm	250 mm
Power Supply	12 Volt Dedicated and Phantom	12 Volt Dedicated and Phantom	3 - 5 Volt Phantom
Consumption	50 mA max	40 mA max	45 mA max
Impedance	FM: 50 Ω	50 Ω	50 Ω
Gain	--	4 dBi	28 dBi
VSWR	--	< 4	2:1
Protection Class	IP68		
Coachwork drilling	Square: 15 x 15 mm - Round: 19 mm		

Note



### Dimensions



## SHARK 2 FCA

ROOF ANTENNA

### AVAILABLE VERSIONS

	AM / FM	DAB	GNSS
P/N: 7677890 - TRIPLEX	•	•	•
P/N: 7677892 - COMBI RADIO	•	•	
P/N: 7677894 - RADIO	•		

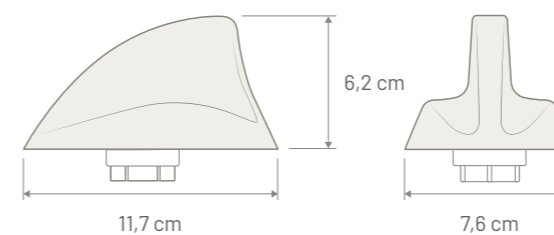
### TECHNICAL SPECIFICATION

	AM / FM	DAB	GNSS
Connector	FAKRA Female White	FAKRA Female Grey	FAKRA Female Blue
Cable Type	RG 174	RG 174	RG 174
Cable Length	250 mm	200 mm	350 mm
Power Supply	12 Volt Dedicated and Phantom	12 Volt Dedicated and Phantom	3 - 5 Volt Phantom
Consumption	50 mA max	50 mA max	45 mA max
Impedance	50 Ω	50 Ω	50 Ω
Gain	--	2 dBi	28 dBi
VSWR	--	< 3:1	2:1
Protection Class	IP68		
Coachwork drilling	Square: 15 x 15 mm - Round: 19 mm		

Note



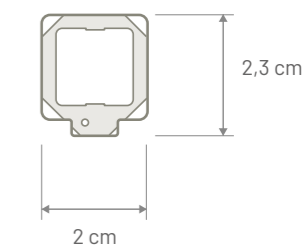
### Dimensions



### Mounting scheme



### FCA hole



**SHARK 2 NISSAN** COMBI RADIO **NEW**

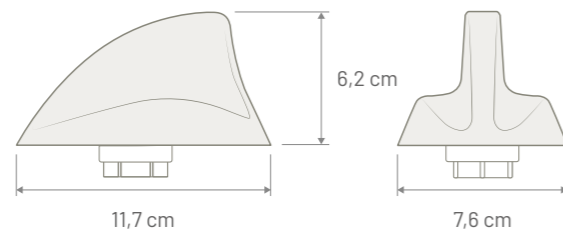
ROOF ANTENNA

P/N: 7677965	AM / FM	DAB
Connector	GT13 Female	FAKRA Male Brown
Cable Type	RG 174	RG 174
Cable Length	300 mm	250 mm
Power Supply	12V Dedicated and Phantom	12V Dedicated and Phantom
Consumption	50 mA max	50 mA max
Impedance	50 Ω	50 Ω
Gain	--	2 dBi
VSWR	--	< 3:1
Protection Class	IP68	
Coachwork drilling	Square: 15 x 15 mm - Round: 19 mm	

Note



**Dimensions**



**SHARK 1** RADIO

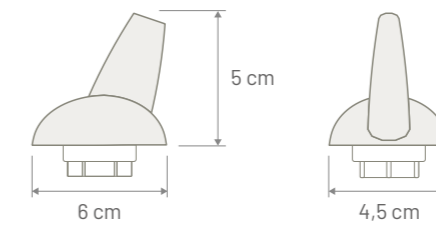
ROOF ANTENNA

P/N: 7677805	AM / FM
Connector	FAKRA Male White
Cable Type	RG 174
Cable Length	250 mm
Power Supply	12 Volt Dedicated and Phantom
Consumption	60 mA max
Impedance	50 Ω
Protection Class	IP68
Coachwork drilling	Square: 15 x 15 mm - Round: 19 mm

Note



**Dimensions**

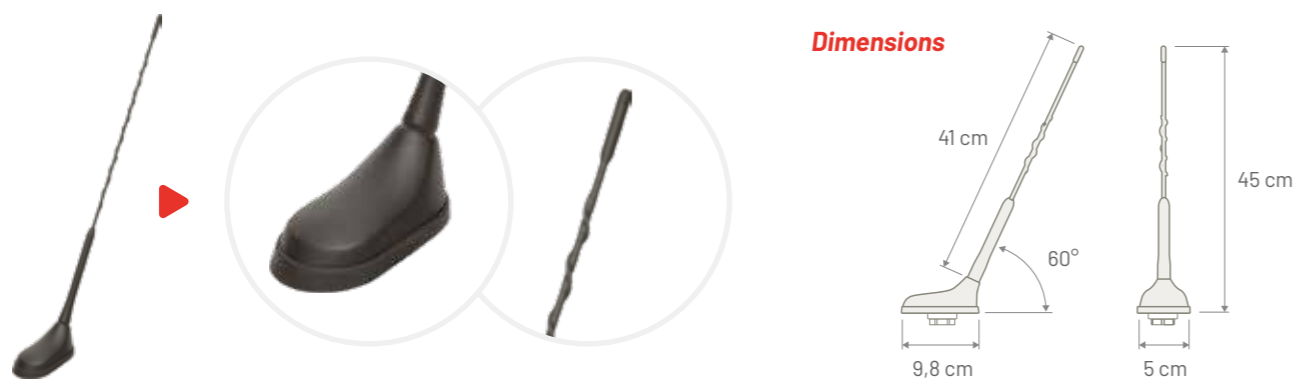


### TRIPLEX

REAR ROOF ANTENNA

P/N: 7677840	AM / FM	DAB	GNSS
Connector	FAKRA Male White	FAKRA Male Black	FAKRA Male Blue
Cable Type	RG 174	RG 174	RG 174
Cable Length	180 mm	200 mm	220 mm
Power Supply	12 Volt Dedicated	12 Volt Dedicated	3 - 5 Volt Phantom
Consumption	12 Volt Dedicated	12 Volt Dedicated	45 mA max
Impedance	75 mA max	75 mA max	50 Ω
Gain	--	12 dBi	32 dBi
VSWR	AM: < 5:1 / FM: < 8:1	< 5:1	2:1
Rod Length	410 mm	Base Angle	60 degree
Rod Thread	M6	Protection Class	IP67
Rod Type	Antinoise	Coachwork drilling	Square: 15 x 15 mm - Round: 19 mm

Note



### TRIPLEX SHORT ROD NEW

REAR ROOF ANTENNA

P/N: 7677845	AM / FM	DAB	GNSS
Connector	FAKRA Male White	FAKRA Male Black	FAKRA Male Blue
Cable Type	RG 174	RG 174	RG 174
Cable Length	225 mm	260 mm	270 mm
Power Supply	12 Volt Dedicated	12 Volt Dedicated	3 - 5 V Phantom
Consumption	75 mA max	75 mA max	45 mA max
Impedance	50 Ω	50 Ω	50 Ω
Gain	--	0 dBi	30 dBi
VSWR	AM: 5:1 / FM: 7,5:1	3,5:1	1,5:1
Rod Length	300 mm	Base Angle	60 degree
Rod Thread	M6	Protection Class	IP67
Rod Type	Antinoise	Coachwork drilling	Square: 15 x 15 mm - Round: 19 mm

Note



### COMBI RADIO

REAR ROOF ANTENNA

P/N: 7677850	AM / FM	DAB	
Connector	FAKRA Male White	FAKRA Male Black	
Cable Type	RG 174	RG 174	
Cable Length	180 mm	200 mm	
Power Supply	12 Volt Dedicated	12 Volt Dedicated	
Consumption	50 mA max	50 mA max	
Impedance	50 Ω	50 Ω	
Gain	--	12 dBi	
VSWR	AM: 5:1 / FM: 7,5:1	< 3:1	
Rod Length	410 mm	Base Angle	60 degree
Rod Thread	M6	Protection Class	IP68
Rod Type	Antinoise	Coachwork drilling	Square: 15 x 15 mm - Round: 19 mm

Note



### COMBI RADIO SHORT ROD

REAR ROOF ANTENNA

P/N: 7677855	AM / FM	DAB	
Connector	FAKRA Male White	FAKRA Male Black	
Cable Type	RG 174	RG 174	
Cable Length	180 mm	200 mm	
Power Supply	12 Volt Dedicated	12 Volt Dedicated	
Consumption	50 mA max	50 mA max	
Impedance	50 Ω	50 Ω	
Gain	--	0 dBi	
VSWR	AM: 5:1 / FM: 7,5:1	< 3:1	
Rod Length	200 mm	Base Angle	60 degree
Rod Thread	M5	Protection Class	IP68
Rod Type	Smooth	Coachwork drilling	Square: 15 x 15 mm - Round: 19 mm

Note



**DAB PASSIVE**

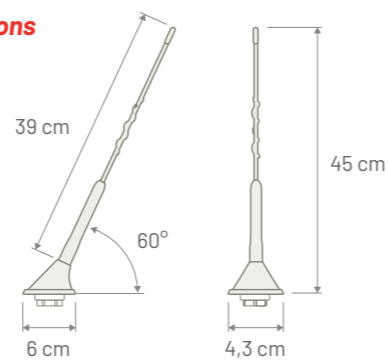
**REAR ROOF ANTENNA**

P/N: 7677860		DAB	
Connector	FAKRA Male Black		
Cable Type	RG 174		
Cable Length	100 mm		
Impedance	50 Ω		
Gain	2 dBi		
VSWR	< 3,5:1		
Rod Length	390 mm	Base Angle	60 degree
Rod Thread	M5	Protection Class	IP68
Rod Type	Antinoise	Coachwork drilling	Square: 15 x 15 mm - Round: 19 mm

Note



**Dimensions**



**16V SHORT ROD DAB READY**

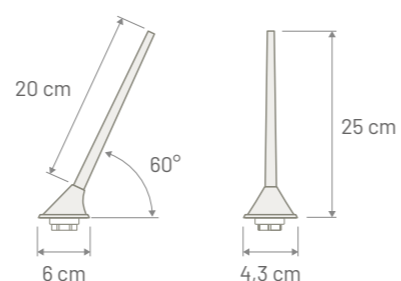
**REAR ROOF**

P/N: 7677865		AM / FM	
Connector	FAKRA Male White		
Cable Type	RG 174		
Cable Length	180 mm		
Impedance	FM: 50 Ω		
Gain	--		
VSWR	FM: < 3:1		
Rod Length	200 mm	Base Angle	60 degree
Rod Thread	M5	Protection Class	IP68
Rod Type	Smooth	Coachwork drilling	Square: 15 x 15 mm - Round: 19 mm

Note To enable DAB reception an Active or Passive Splitter is needed (see SERVICE BOX chapter)



**Dimensions**



**16V RADIO 60°**

**60° PASSIVE ANTENNA**

P/N: 7677870 - RADIO	AVAILABLE VERSIONS		
	TYPE	POWER SUPPLY	ROD TYPE
P/N: 7677872 - RADIO	Passive	--	Smooth
P/N: 7677874 - RADIO	Active	12 V Phantom	Smooth
	Active	12 V Dedicated	Antinoise

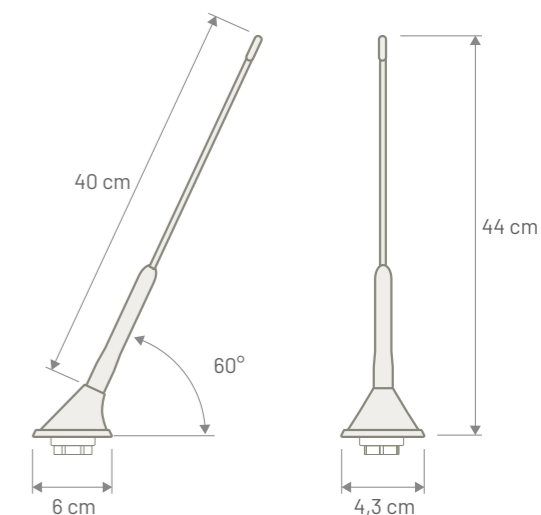
**TECHNICAL SPECIFICATION**

AM / FM	
Connector	FAKRA Male White
Cable Type	RG 174
Cable Length	180 mm
Consumption	60 mA max (only active antennas)
Impedance	--
Gain	--
VSWR	--
Rod Length	405 mm
Rod Thread	M5
Base Angle	60 degree
Protection Class	IP68
Coachwork drilling	Square: 15 x 15 mm - Round: 19 mm

Note



**Dimensions**



**16V RADIO 60° ANTITHEFT**

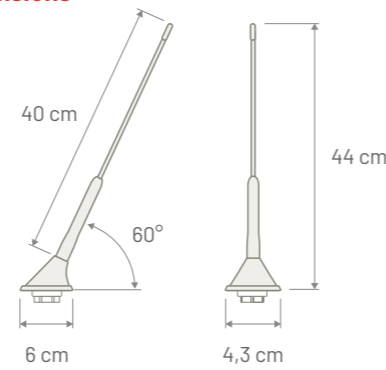
REAR ROOF

P/N: 7677876		AM / FM	
Connector	FAKRA Male White		
Cable Type	RG 174		
Cable Length	180 mm		
Power Supply	12 Volt Phantom		
Consumption	60 mA max		
Impedance	FM: 50 Ω		
Gain	--		
VSWR	FM: < 4,5:1		
Rod Length	405 mm	Protection Class	IP68
Base Angle	60 degree	Coachwork drilling	Square: 15 x 15 mm - Round: 19 mm

Note Rod Antitheft System is Patented by Calearo



**Dimensions**



**16V RADIO 45°**

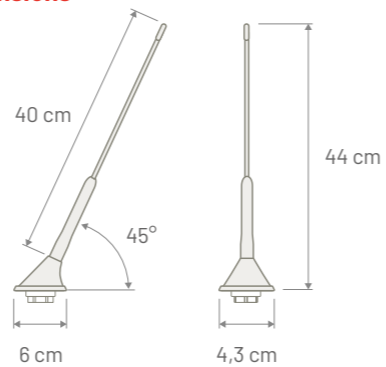
FRONT ROOF

P/N: 7677882		AM / FM	
Connector	FAKRA Male White		
Cable Type	RG 174		
Cable Length	180 mm		
Impedance	--		
Gain	--		
Rod Length	405 mm	Base Angle	45 degree
Rod Thread	M5	Protection Class	IP68
Rod Type	Smooth	Coachwork drilling	Square: 15 x 15 mm - Round: 19 mm

Note



**Dimensions**



**16V RADIO 76°**

REAR ROOF

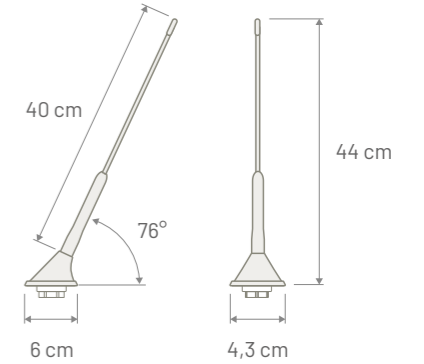
P/N: 7677878 - RADIO	AVAILABLE VERSIONS		
	TYPE	POWER SUPPLY	ROD TYPE
P/N: 7677880 - RADIO	Passive	--	Smooth
	Active	12V Dedicated	Smooth

TECHNICAL SPECIFICATION	
AM / FM	
Connector	FAKRA Male White
Cable Type	RG 174
Cable Length	180 mm
Consumption	60 mA max (only active antennas)
Impedance	--
Gain	--
VSWR	--
Rod Length	405 mm
Rod Thread	M5
Base Angle	76 degree
Protection Class	IP68
Coachwork drilling	Square: 15 x 15 mm - Round: 19 mm

Note




**Dimensions**



### RADIO FORD

WITHOUT EXTENSION CABLE


P/N: 7657009		AM / FM	
Impedance	--	Protection Class	IP68
Gain	--	Mounting	Customized for original hole
Rod Length	400 mm	Coachwork drilling	A: Ø 4,7 mm B: Ø 8 mm D: 14 mm
Rod Thread	M6	Note	Passive antenna



### RADIO FIAT GROUP > 2001

WITHOUT EXTENSION CABLE


P/N: 7657015		AM / FM	
Impedance	--	Protection Class	IP68
Gain	--	Mounting	Customized for original hole
Rod Length	400 mm	Coachwork drilling	A: M6
Rod Thread	M6	Note	Passive antenna



### RADIO FIAT COMMERCIAL VEHICLES - PEUGEOT

WITHOUT EXTENSION CABLE


P/N: 7657019		AM / FM	
Impedance	--	Protection Class	IP68
Gain	--	Mounting	Customized for original hole
Rod Length	400 mm	Coachwork drilling	A: M6
Rod Thread	M6	Note	Passive antenna



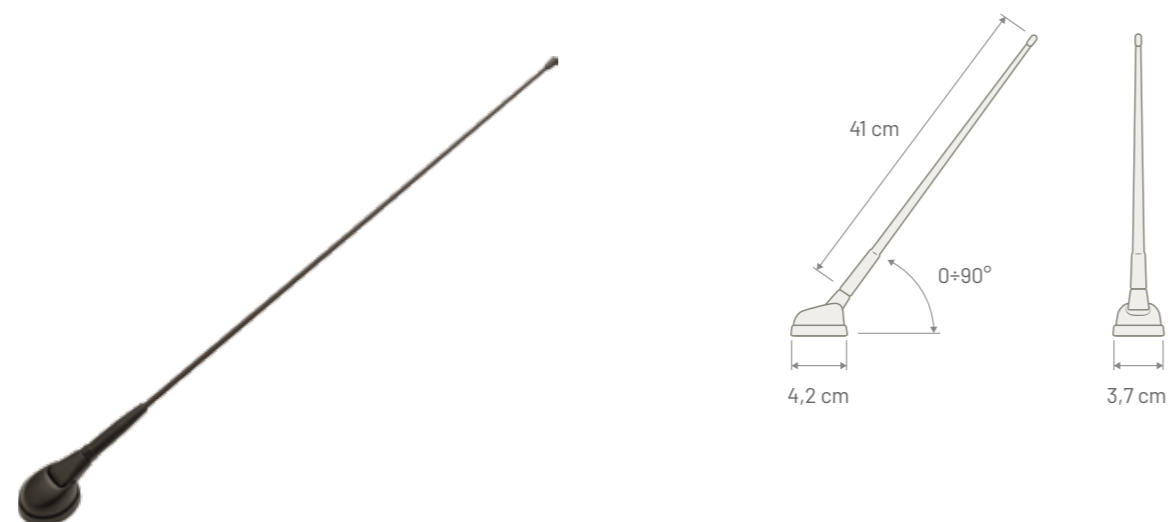
### RADIO FIAT GROUP 2002 >

WITHOUT EXTENSION CABLE

P/N: 7657021		AM / FM	
Impedance	--	Protection Class	IP68
Gain	--	Mounting	Customized for original hole
Rod Length	400 mm	Coachwork drilling	A: Ø 10,2 mm
Rod Thread	M6	Note	Passive antenna




#### Dimensions



### RADIO UNIVERSAL

WITH EXTENSION CABLE

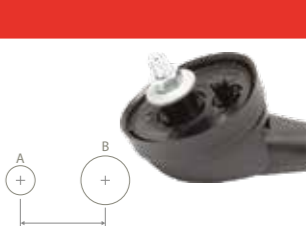
P/N: 7657008		AM / FM	
Connector	DIN Male	Rod Length	400 mm
Cable Type	AR 7	Rod Thread	M6
Cable Length	2450 mm	Protection Class	IP68
Impedance	130 Ω	Mounting	Universal
Gain	--	Coachwork drilling	A: Ø 4,7 mm B: Ø 8 mm D: 14 mm
Note	Passive antenna		



### RADIO UNIVERSAL

WITH EXTENSION CABLE


P/N: 7657016		AM / FM	
Connector	DIN Male	Rod Length	400 mm
Cable Type	AR 7	Rod Thread	M6
Cable Length	2450 mm	Protection Class	IP68
Impedance	130 Ω	Mounting	Universal
Gain	--	Coachwork drilling	A: Ø 4,7 mm B: Ø 10,2 mm D: 14 mm
Note	Passive antenna		



### RADIO FIAT GROUP 2002 >

WITH EXTENSION CABLE


P/N: 7657020		AM / FM	
Connector	DIN Male	Rod Length	400 mm
Cable Type	AR 7	Rod Thread	M6
Cable Length	2700 mm	Protection Class	IP68
Impedance	130 Ω	Mounting	Customized for original hole
Gain	--	Coachwork drilling	A: Ø 10,2 mm
Note	Passive antenna		



### RADIO UNIVERSAL

WITH EXTENSION CABLE

P/N: 7651006		AM / FM	
Connector	DIN Male	Rod Length	850 mm
Cable Type	AR 7	Rod Thread	M6
Cable Length	2450 mm	Protection Class	IP68
Impedance	130 Ω	Mounting	Universal
Gain	--	Coachwork drilling	A: Ø 4,7 mm B: Ø 8 mm D: 14 mm
Note	Passive antenna		



#### Dimensions



**FLEXI** TE BASE

ROOF / PILLAR

	CONNECTOR	CABLE TYPE	CABLE LENGTH
P/N: 7667010 - RADIO DAB READY	DIN Male	RG 58	2500 mm
P/N: 7667011 - RADIO DAB READY	DIN Male	RG 58	1500 mm

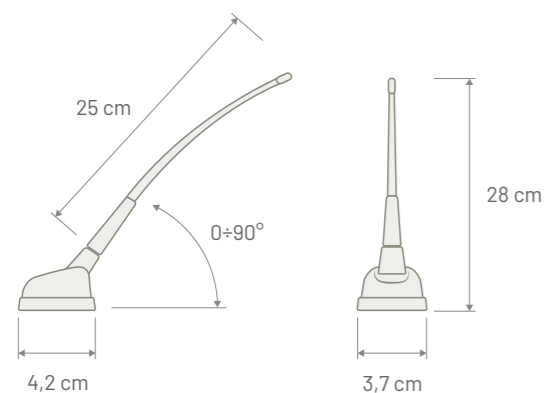
TECHNICAL SPECIFICATION

	AM / FM
Impedance	50 Ω
Gain	--
Rod Length	240 mm
Rod Thread	M6
Rod Type	Rubber - High flessnessibility - Heavy duty
Protection Class	IP68
Coachwork drilling	A: Ø 4,7 mm B: Ø 8 mm D: 14 mm

Note To enable DAB reception an Active or Passive Splitter is needed (see SERVICE BOX chapter)



Dimensions



Coachwork Drilling



**FLEXI** SPHERIC BASE

ROOF / PILLAR

	CONNECTOR	CABLE TYPE	CABLE LENGTH
P/N: 7667012 - RADIO DAB READY	DIN Male	RG 58	2500 mm
P/N: 7667013 - RADIO DAB READY	DIN Male	RG 58	1500 mm

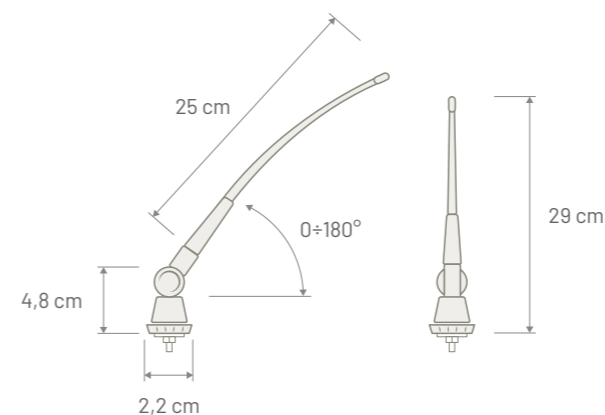
TECHNICAL SPECIFICATION

	AM / FM
Impedance	50 Ω
Gain	--
Rod Length	240 mm
Rod Thread	M6
Rod Type	Rubber - High flessnessibility - Heavy duty
Protection Class	IP68
Coachwork drilling	Round 9 mm

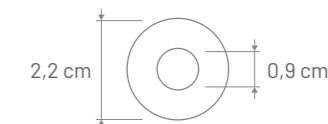
Note To enable DAB reception an Active or Passive Splitter is needed (see SERVICE BOX chapter)



Dimensions



Coachwork Drilling



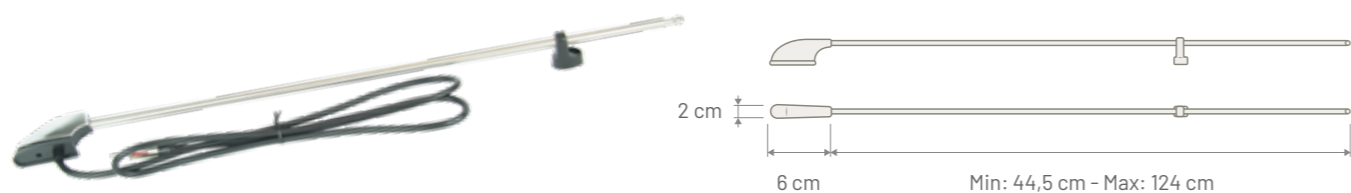
**RADIO PILLAR**

**TELESCOPIC ANTENNA**

P/N: 7627008	AM / FM
Connector	DIN Male
Cable Type	COAXIAL
Cable Length	1500 mm
Impedance	130 Ω
Rod Length	Min: 445 mm - Max: 1240 mm
Rod Type	3 elements INOX telescopic rod
Mounting	Pillar
Coachwork drilling	Round 10 mm

Note

**Dimensions**



**RADIO FENDER**

**TELESCOPIC ANTENNA**

P/N: 7677153	AM / FM
Connector	DIN Male
Cable Type	COAXIAL
Cable Length	1500 mm
Impedance	130 Ω
Rod Length	85 cm
Rod Type	4 elements INOX telescopic rod
Rod Angle	Max 45 degree from vertical position
Mounting	Fender
Coachwork drilling	Round 17 mm

Note

**Dimensions**



**TELESCOPE ELECTRIC ANTENNA** NEW

**MOTORIZED PILLAR ANTENNA**

P/N: 7677154 - MOTORIZED	COLOR TELESCOPIC ROD
P/N: 7677155 - MOTORIZED	INOX
	BLACK

**TECHNICAL SPECIFICATION**

	AM / FM
Connector	DIN Male
Cable Type	3C-2V
Cable Length	1400 mm
Power Supply	12 Volt Dedicated
Consumption	36 watt max
Impedance	50 Ω
Rod Length	790 mm
Rod Type	5 elements stainless steel telescopic rod
Rod Angle	Max 30 degree from vertical position
Coachwork drilling	Round 14,5 mm

Note

**Dimensions**





**NEW LIGHT RADIO SERIES** NEW

INTERNAL ON-GLASS ANTENNA

AVAILABLE VERSIONS

	AM / FM	DAB
P/N: 7677925 - COMBI RADIO	•	•
P/N: 7677926 - RADIO	•	
P/N: 7677929 - DAB EVOLUTION		•

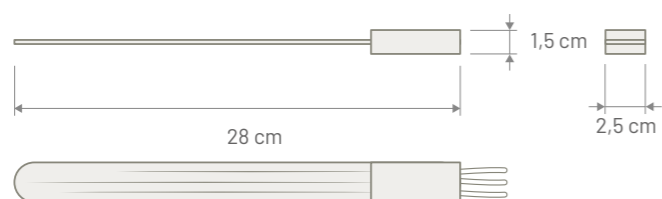
TECHNICAL SPECIFICATION

	AM / FM	DAB
Connector	FAKRA Male White	FAKRA Male Black
Cable Type	RG 174	RG 174
Cable Length	150 mm	150 mm
Power Supply	12 Volt Phantom	12 Volt Phantom
Consumption	90 mA max	90 mA max
Impedance	50 Ω	50 Ω
Gain	--	8 dBi
VSWR	FM: < 3:1	< 2:1
Protection Class	IP41	
Mounting	Internal adhesive on-glass	

Note Amplifier must be powered from both AM / FM and DAB connector



Dimensions



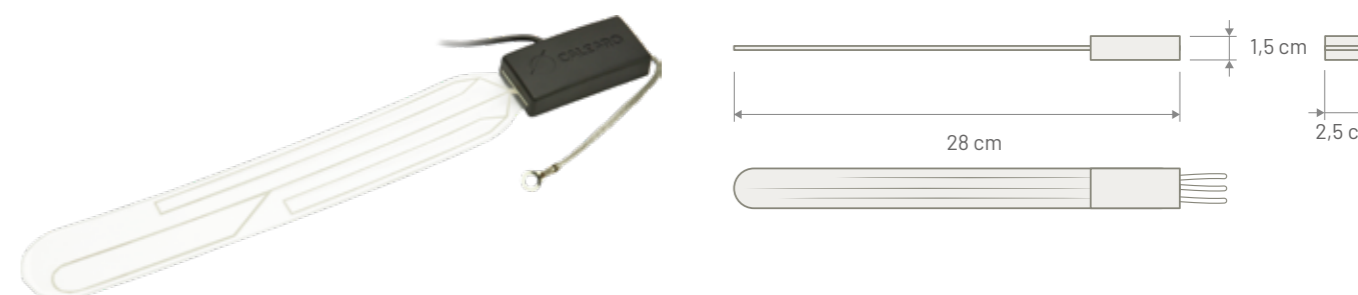
**LIGHT DAB**

INTERNAL ON-GLASS ANTENNA

P/N: 7677938	DAB
Connector	FAKRA Female Black
Cable Type	RG 174
Cable Length	3000 mm
Power Supply	12 Volt Phantom
Consumption	35 mA max
Impedance	--
Gain	4 dBi
VSWR	--
Protection Class	IP34
Mounting	Adhesive internal on glass

Note FAKRA Male Waterblue (Universal code) > SMB Female 90° adapter cable included in the package

Dimensions



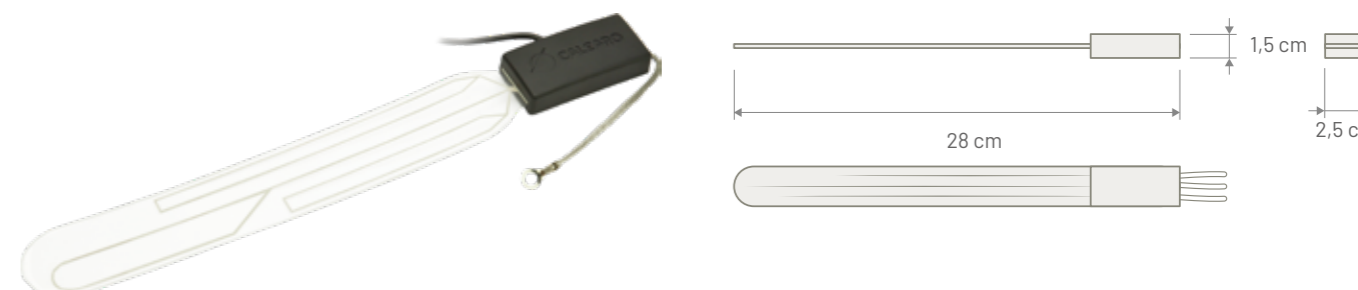
**LIGHT TV**

INTERNAL ON-GLASS ANTENNA

P/N: 7137122	DTT
Connector	MINI JACK Male 3,5 Mm
Cable Type	RX 174
Cable Length	3000 mm
Power Supply	12 Volt Dedicated
Consumption	35 mA max
Impedance	75 Ω
Gain	6 dBi
Protection Class	IP34
Mounting	Adhesive internal on glass

Note

Dimensions



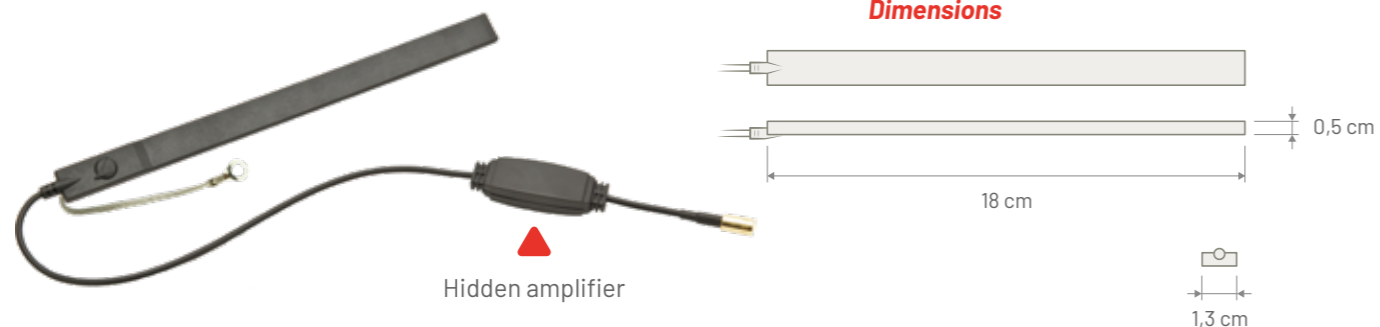
**RUBBER DAB**

**INTERNAL ON-GLASS ANTENNA**

P/N: 7137134	DAB
Connector	SMB Female 90°
Cable Type	RG 174
Cable Length	3500 mm
Power Supply	12 volt Phantom
Consumption	35 mA max
Impedance	50 Ω
Gain	6 dBi
VSWR	1.8 typical
Mounting	Adhesive internal on glass

Note

**Dimensions**



**WHISKER AM / FM**

**INTERNAL ON-GLASS ANTENNA**

**AVAILABLE VERSIONS**

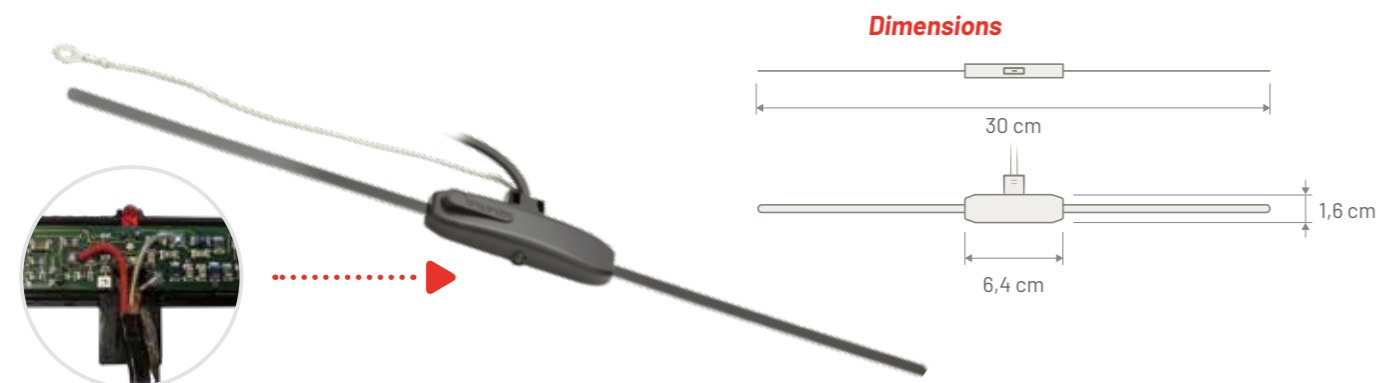
	CONNECTOR	CABLE LENGTH	POWER SUPPLY
P/N: 7697015 - WHISKER DIN	DIN Male	2400 mm	12 volt Dedicated
P/N: 7697018 - WHISKER FAKRA	FAKRA Female White	2400 mm	12 volt Phantom

**TECHNICAL SPECIFICATION**

	AM / FM
Consumption	40 mA max
Impedance	75 Ω
Gain	--
VSWR	< 3,0:1
Mounting	Adhesive internal on glass

Note AM and FM double amplification

**Dimensions**



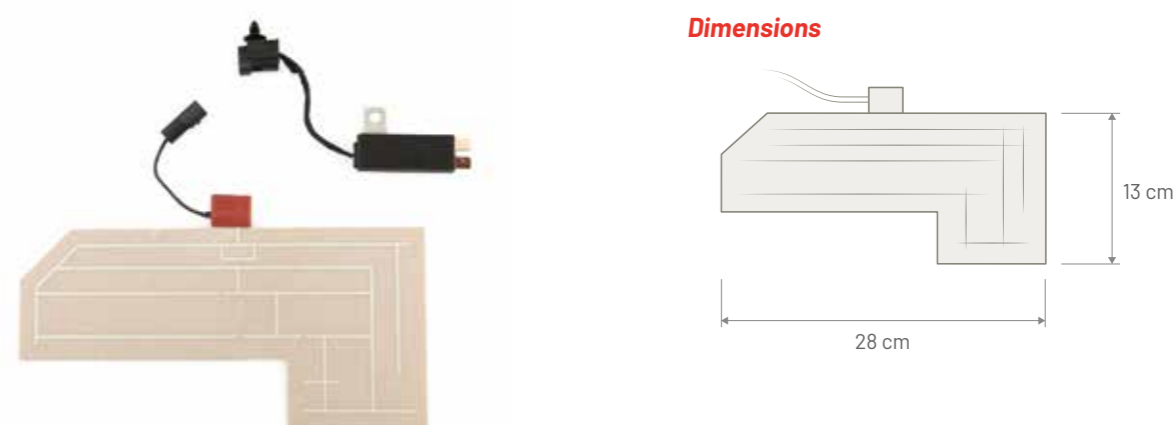
**FOIL COMBI RADIO NEW**

**BUMPER, PLASTIC AND FIBERGLASS SURFACE MOUNTING**

P/N: 7677955	AM / FM	DAB
Connector	FAKRA Male White	FAKRA Male Brown
Cable Type	--	--
Cable Length	--	--
Power Supply	12 Volt Phantom	12 Volt Phantom
Consumption	60 mA max	60 mA max
Impedance	50 Ω	50 Ω
Gain	--	8 dBi
VSWR	FM: 2,1 : 1	1,7 : 1
Protection Class	Amplifier IP67	
Mounting	Antenna: internal adhesive; Amplifier: screw fastening	

Note Amplifier must be powered from both AM / FM and DAB connector

**Dimensions**



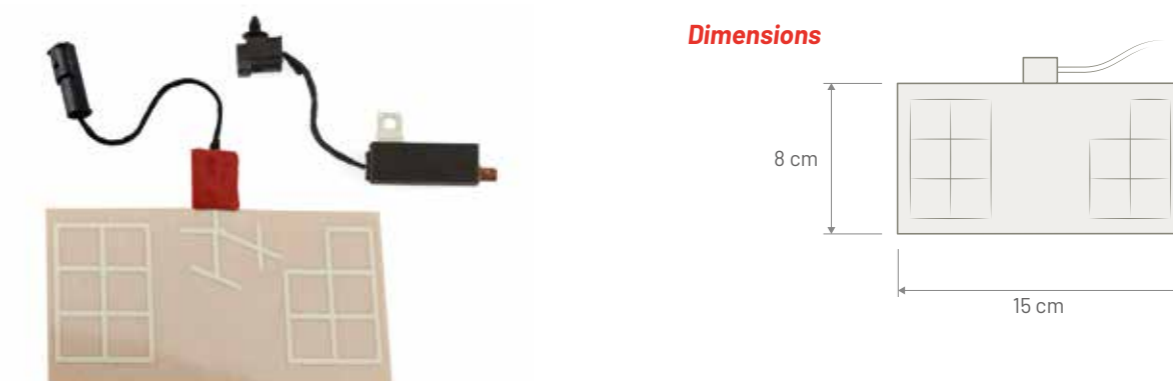
**FOIL DAB**

**BUMPER, PLASTIC AND FIBERGLASS SURFACE MOUNTING**

P/N: 7677951	DAB
Connector	FAKRA Male Brown
Power Supply	12 volt Phantom
Consumption	60 mA max
Impedance	50 Ω
Gain	10 dBi
VSWR	< 2:1
Protection Class	IP67
Mounting	Foil: adhesive internal on bumper and other plastic and fiberglass parts Amplifier: screw to the metallic part

Note

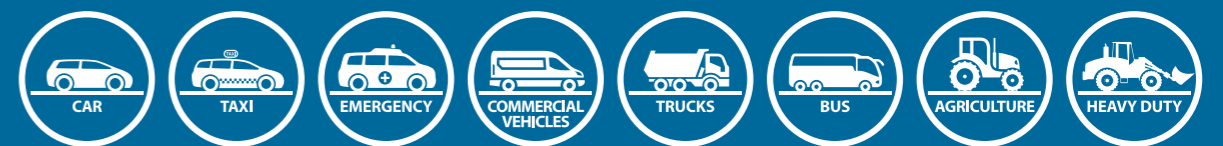
**Dimensions**



# TELEMATICS

RADOME COMPACT .....	36
SHARK 2 .....	37
ON ROOF .....	38
MAGNETIC .....	38
LUNEX .....	39
INTERNAL .....	40
LOCATIONING .....	41

*Calearo continuously strive to offering a wide range of antennas able to optimize mobile communication, localitioning and data transmission in order to guarantee the best performance for any personal, commercial, emergencies and duty application.*



**COMLOC** NEW

ROOF ANTENNA

AVAILABLE VERSIONS

	GSM - UMTS - LTE	WIFI - BT	WIFI DUALBAND - BT	GNSS
P/N: 7770057 - COMLOC	•	•		•
P/N: 7770058 - COMLOC MIMO 3x	3x		•	•
P/N: 7770059 - COMLOC MIMO 2x2	2x	2x		•

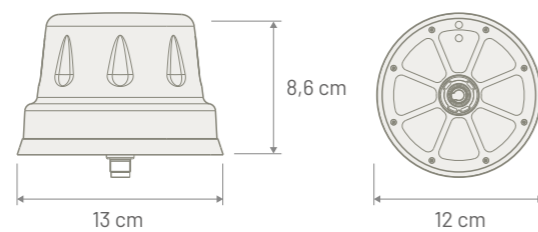
TECHNICAL SPECIFICATION

	GSM - UMTS - LTE	WIFI - BT	WIFI DUALBAND - BT	GNSS
Connector	FAKRA Male Bordeaux	FAKRA Male Violet	FAKRA Male Violet	FAKRA Male Blue
Cable Type	RG 174	RG 174	RG 174	RG 174
Cable Length	190 mm	190 mm	190 mm	190 mm
Power Supply	--	--	--	3 - 5 V
Consumption	--	--	--	15 - 45 mA
Impedance	50 Ω	50 Ω	50 Ω	50 Ω
Gain	Peak: 4 dBi Average: -4 dBi	Peak: 3 dBi Average: -2 dBi	Peak: 4 dBi Average: -1 dBi	28 dBi
VSWR	2,5:1	1,8:1	1,8:1	1,5:1
Max Power	4 Watt	4 Watt	4 Watt	--
Protection Class	IP69			
Mounting	On roof			
Coachwork drilling	Square: 15 x 15 mm - Round: 19 mm			

Note



Dimensions



**SHARK 2**

ROOF ANTENNA

AVAILABLE VERSIONS

	GSM - UMTS - LTE	WIFI DUAL BAND	GNSS
P/N: 7727098 - SHARK 2 COMLOC	•		•
P/N: 7727099 - SHARK 2 COMLOC WIFI	•	•	•

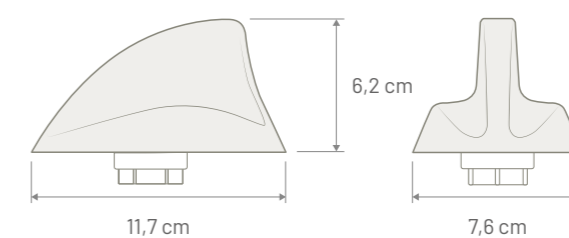
TECHNICAL SPECIFICATION

	GSM - UMTS - LTE	WIFI DUAL BAND	GNSS
Connector	FAKRA Male Bordeaux	FAKRA Male Violet	FAKRA Male Blue
Cable Type	RG 174	RG 174	RG 174
Cable Length	290 mm	120 mm	290 mm
Power Supply	--	--	3 - 5 Volt Phantom
Consumption	--	--	45 mA max
Impedance	50 Ω	50 Ω	50 Ω
Gain	LTE: Peak 4 dBi Average: -4 dBi	Peak: 4 dBi Average: -1 dBi	30 dB
VSWR	LTE: 2.5:1	2:1	2:1
Max Power	4 W	4 W	--
Protection Class	IP67		
Mounting	On roof mounting		
Coachwork drilling	Square: 15 x 15 mm - Round: 19 mm		

Note



Dimensions



## LAMBDA QUARTER

ROOF ANTENNA

### AVAILABLE VERSIONS

	CONNECTOR	CABLE LENGHT	CABLE TYPE
P/N: 7681052 - LAMBDA QUARTER	FME Female - FME Female	5000 mm	RG 58
P/N: 8610028 - LAMBDA QUARTER BRACKET	FME Female - SMA Male	5000 mm	LOW LOSS

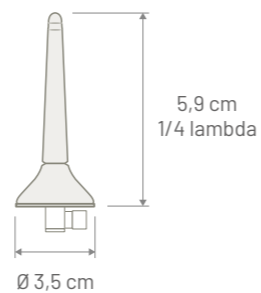
### TECHNICAL SPECIFICATION

AMPS - GSM - DCS - UMTS			
Connector	FME Male	Max Power	8 Watt
Impedance	50 Ω	Protection Class	IP64
Gain	2,15 dBi	Mounting	On roof
VSWR	TX ≤ 2:1 - RX ≤ 2,5:1	Coachwork drilling	Round: 14 mm

Note P/N 8610028: supplied with a special bracket for on wall/on mast mounting



### Dimensions



### Magnetic

## MAGNETIC EVOLUTION LTE

ROOF ANTENNA

### AVAILABLE VERSIONS

	CONNECTOR	CABLE LENGHT	CABLE TYPE
P/N: 8610146 - MAG EVO 4G	N Male	3000 mm	RG 174
P/N: 8610147 - MAG EVO 4G <b>NEW</b>	SMA Male	3000 mm	RG 174
P/N: 8610148 - MAG EVO 4G <b>NEW</b>	FME Female	3000 mm	RG 174

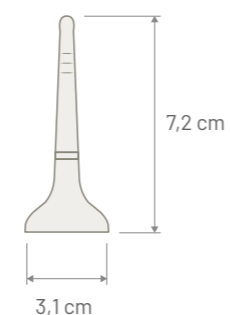
### TECHNICAL SPECIFICATION

	ISM - LTE - GSM	DCS - PCS - UMTS	LTE - WIFI - BLUETOOTH
Frequency	698 ÷ 960 MHz	1710 ÷ 2170 MHz	2500 - 2700 MHz
Impedance	50 Ω		50 Ω
Gain	1.0 dBi	2.4 dBi	2.1 dBi
VSWR	~ 1.9:1	~ 1.5:1	~ 1.3:1
Max Power	50 Watt	50 Watt	50 Watt
Protection Class	IP68		
Coachwork drilling	Magnetic mount		

Note



### Dimensions



## LUNEX EVOLUTION **NEW**

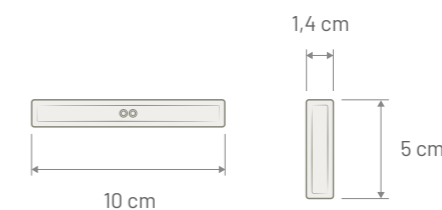
UNIVERSAL ANTENNA

P/N: 7731010	GSM - UMTS - LTE	GNSS
Connector	FAKRA Male Bordeaux	FAKRA Male Blue
Cable Type	RG 174	RG 174
Cable Length	210 mm	210 mm
Power Supply	--	3 - 5 Volt Phantom
Consumption	--	19 - 36 mA
Impedance	50 Ω	50 Ω
Gain	- 5 dBi	29 dBi
VSWR	GSM: 3.5:1 - UMTS: 2:1 - LTE: 2.5:1	2:1
Protection Class	IP41	
Mounting	Internal adhesive mounting	

Note



### Dimensions



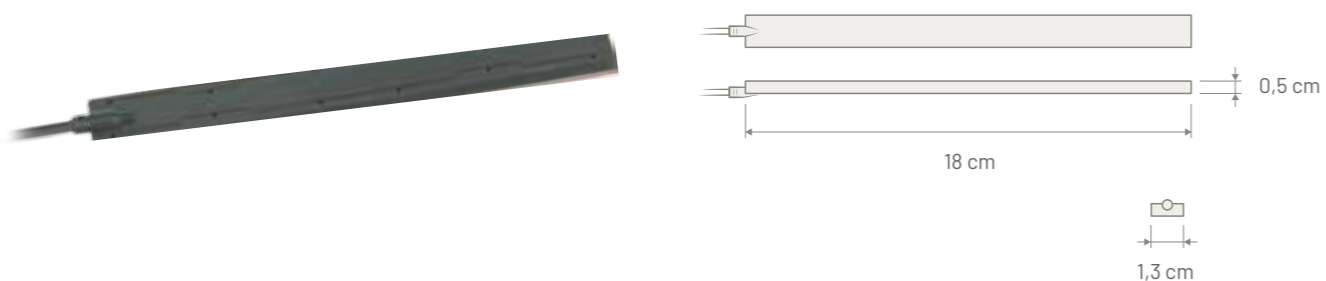
**RUBBER<sup>LTE</sup>**

INTERNAL ANTENNA

P/N: 7681080	GSM - UMTS - LTE
Connector	FAKRA Male Bordeaux
Cable Type	RG 174
Cable Length	110 mm
Impedance	50 Ω
Gain	-4 dBi
VSWR	3,2:1
Protection Class	IP67
Mounting	Internal adhesive mounting

Note

**Dimensions**



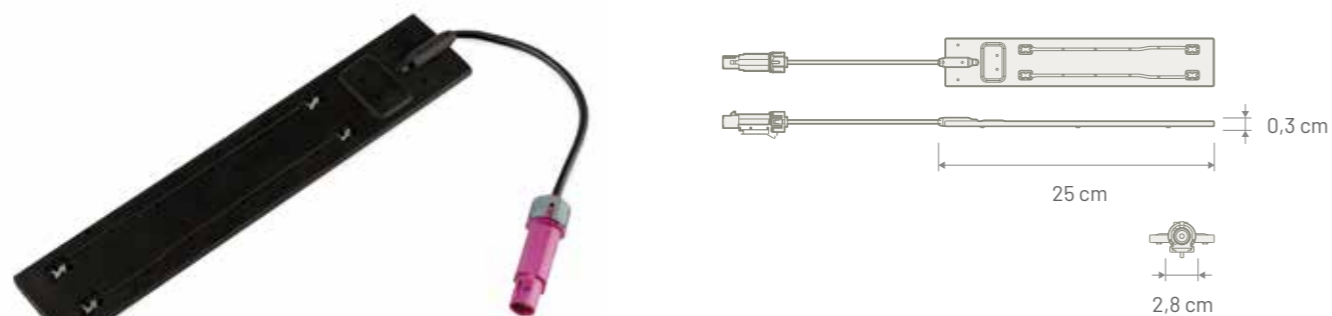
**RUBBER<sup>LTE HP</sup> NEW**

INTERNAL ANTENNA

P/N: 7681095	GSM - UMTS - LTE
Connector	FAKRA Male Bordeaux Waterproof
Cable Type	RG 174
Cable Length	110 mm
Power Supply	--
Consumption	--
Impedance	50 Ω
Gain	-3 dBi
VSWR	3,2:1
Protection Class	IP67
Mounting	Internal adhesive mounting

Note

**Dimensions**



**NAVI SMALL**

INTERNAL ANTENNA

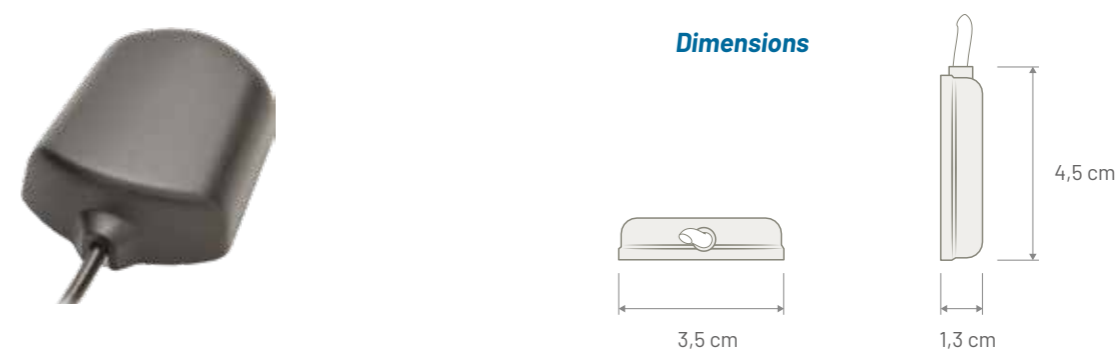
P/N: 7750004 - NAVI SMALL P/N: 7750006 - NAVI SMALL	AVAILABLE VERSIONS		
	CONNECTOR	CABLE LENGTH	CABLE TYPE
	SMB Female	3500 mm	RG 174
	FAKRA Female Blue	3500 mm	RG 174

**TECHNICAL SPECIFICATION**

GNSS	
Power Supply	3 - 5 Volt Phantom
Consumption	22 mA max
Impedance	50 Ω
Gain	≥ 22 dBi
VSWR	< 2.1
Protection Class	IP52
Mounting	Internal adhesive mounting

Note

**Dimensions**



**NAVI**

UNIVERSAL ANTENNA

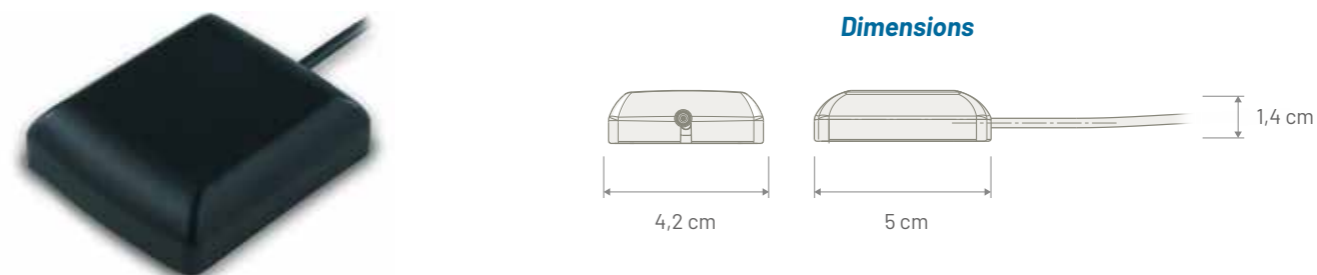
P/N: 7757001 - NAVI NEW P/N: 7757006 - NAVI NEW	AVAILABLE VERSIONS		
	CONNECTOR	CABLE LENGTH	CABLE TYPE
	SMB Female	3500 mm	RG 174
	FAKRA Female Blue	3500 mm	RG174

**TECHNICAL SPECIFICATION**

GNSS	
Power Supply	3 - 5 Volt Phantom
Consumption	45 mA max
Impedance	50 Ω
Gain	28 dB
VSWR	1,5:1
Protection Class	IP69k
Mounting	Internal and external - Magnetic and adhesive mounting

Note

**Dimensions**



# CRITICAL

RADOME .....	44
EMERGENCY SERVICES .....	45
16 V .....	46
SHARK 2 .....	49
RSA .....	50
QUAD .....	52

*Calearo keep an extensive focus on special frequencies used by radio taxi operators, professional communications, police and emergency services. Antennas are available with single and multifunction guarantee functional efficiency and simple installation as well as full integration into the vehicle.*



**RADOME RUGGED**

REAR ROOF ANTENNA

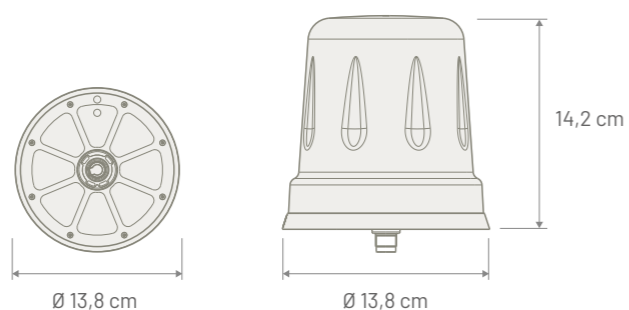
AVAILABLE VERSIONS

	GSM/UMTS/LTE	WIFI/BT	TETRA	UHF	GNSS
P/N: 7771050 - QUAD	•	•	•		•
P/N: 7771060 - TRIPLEX		•	•		•
P/N: 7771070 - DUPLEX UHF				•	•
P/N: 7771080 - DUPLEX TETRA			•		•
Connector	FAKRA Male Bordeaux	FAKRA Male Violet	FAKRA Male Green	FAKRA Male Green	FAKRA Male Blu
Cable Type	RG 174	RG 174	RG 174	RG 174	RG 174
Cable Length	250 mm	250 mm	250 mm	250 mm	220 mm
Power Supply	--	--	--	--	3 - 5 Volt Phantom
Consumption	--	--	--	--	45 mA max
Impedance	50 Ω	50 Ω	50 Ω	50 Ω	50 Ω
Gain	Peak: 4 dBi Average: -4 dBi	Peak: 4 dBi Average: -1 dBi	0 dBi	0 dBi	32 dBi
VSWR	2,5:1	1,8:1	2:1	2:1	2:1
Max Power	4 Watt	4 Watt	20 Watt	20 Watt	--
Protection Class	IP69				
Mounting	On roof				
Coachwork drilling	Square: 15 x 15 mm - Round: 19 mm				

Note



Dimensions

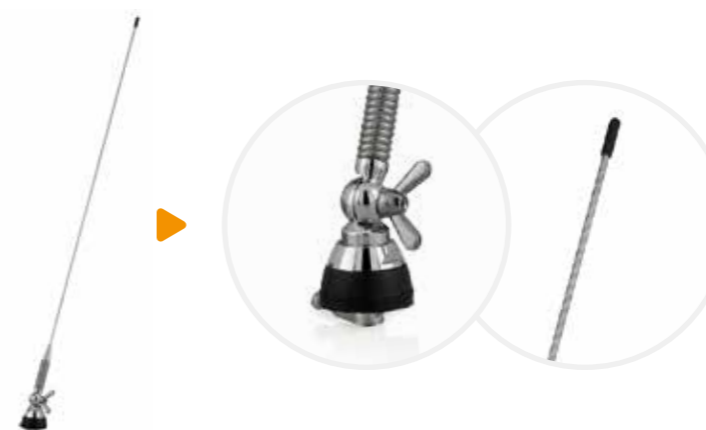


**ES TUNABLE NEW**

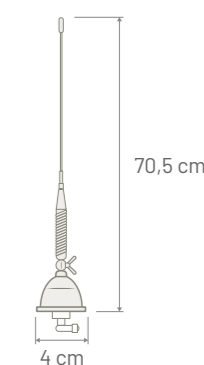
TUNABLE ANTENNA FOR EMERGENCY FREQUENCIES

P/N: 7771010	VHF / UHF / TETRA		
Connector	Not mounted		
Cable Type	RG 58		
Cable Length	5000 mm		
Impedance	50 Ω		
Gain	2 dBi		
VSWR	< 1,5:1		
Max Power	100 Watt		
Rod Length	655 mm	Mounting	On roof / Pillar / Fender
Rod Type	Stainless Steel	Coachwork drilling	Round: 19 mm

Note Omnidirectional 1/4 lambda type - Tunable rod



Dimensions

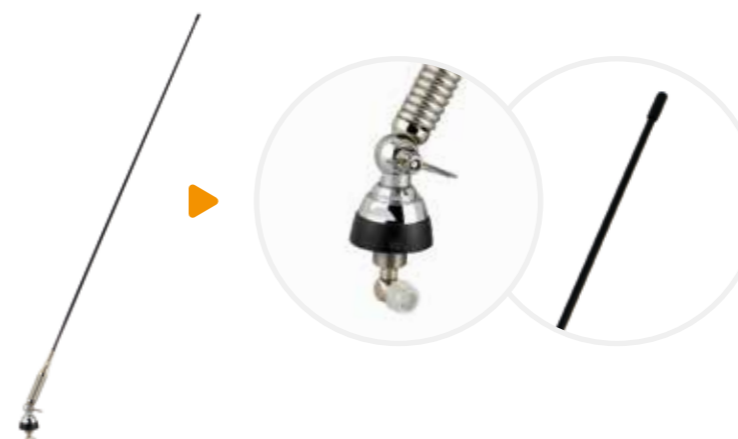


**ES 70/80 MHZ**

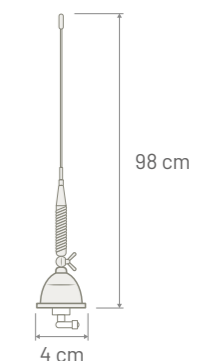
ROOF ANTENNA

P/N: 7640006	70/80 MHZ		
Connector	TNC F		
Cable Type	Without extension cable*		
Impedance	50 Ohm		
Gain	2 dBi		
VSWR	< 1.5:1		
Max Power	100 Watt		
Rod Length	950 mm	Mounting	On roof / Pillar / Fender
Rod Type	Fiberglass	Coachwork drilling	Round: 19 mm

Note \* P/N 7583040: optional extension cable (type: RG 58 - Length: 5000 mm - Connectors: TNC Male 90°)  
Extension cable with different length or connectors available on request



Dimensions





16V TRIPLEX

ROOF ANTENNA

AVAILABLE VERSIONS

	VHF	UHF	GSM/DCS	GNSS
P/N: 7771004 - TRIPLEX UHF		•	•	•
P/N: 7771005 - TRIPLEX VHF	•		•	•

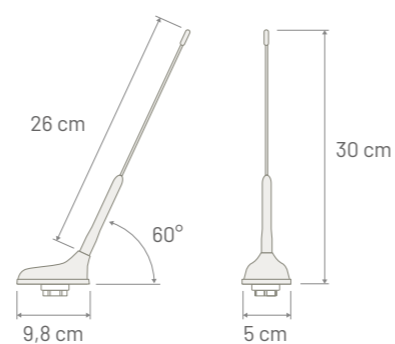
TECHNICAL SPECIFICATION

	VHF	UHF	GSM/DCS	GNSS
Antenna connector	FAKRA Male Green	FAKRA Male Green	FAKRA Male Bordeaux	FAKRA Male Blue
Antenna cable type	RG 174	RG 174	RG 174	RG 174
Antenna cable length	200 mm	200 mm	200 mm	220 mm
Extension cable type	RG 58	RG 58	RG 58	RG 174
Extension cable length	5000 mm	5000 mm	5000 mm	5000 mm
Extension cable connectors	FAKRA Female Green - FME Female	FAKRA Female Green - FME Female	FAKRA Female Bordeaux - FME Female	FAKRA Female Blue - SMB Female
Power supply	--	--	--	3 - 5 Volt
Consumption	--	--	--	45 mA max
Impedance	50 Ω	50 Ω	50 Ω	50 Ω
Gain	0 dBi	-1 dBi	Peak: 3 dBi / Average: -3 dBi	30 dBi
VSWR	1,5:1	2:1	3:1	1,5:1
Max Power	20 Watt	10 Watt	4 Watt	--
Rod Combined Function	VHF/GSM/DCS	UHF/GSM/DCS	--	--
Rod Length	380 mm	260 mm	--	--
Rod Type	Antinoise	Smooth	--	--
Rod Thread	M6	Mounting	On roof	
Base Angle	60 degree	Coachwork drilling	Square: 15 x 15 mm - Round: 19 mm	
Protection Class	IP64	Note		

P/N 7771004 - Triplex UHF



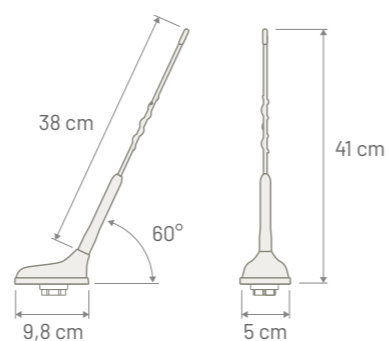
Dimensions



P/N 7771005 - Triplex VHF



Dimensions



16V COMBI

ROOF ANTENNA

AVAILABLE VERSIONS

	VHF	UHF	GNSS
P/N: 7771000 - COMBI VHF	•		•
P/N: 7771001 - COMBI UHF		•	•

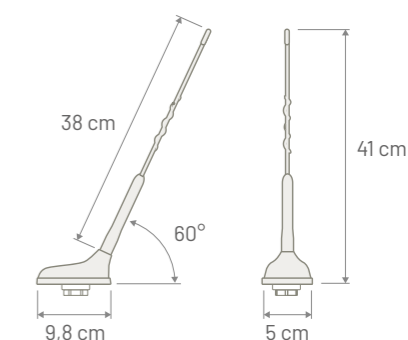
TECHNICAL SPECIFICATION

	VHF	UHF	GNSS
Antenna connector	FAKRA Male Green	FAKRA Male Green	FAKRA Male Blue
Antenna cable type	RG 174	RG 174	RG 174
Antenna cable length	250 mm	200 mm	250 mm
Extension cable type	RG 58	RG 58	RG 174
Extension cable length	5000 mm	5000 mm	5000 mm
Extension cable connectors	FAKRA Female Green - FME Female	FAKRA Female Green - FME Female	FAKRA Female Blue - SMB Female
Power supply	--	--	3 - 5 Volt
Consumption	--	--	45 mA max
Impedance	50 Ω	50 Ω	50 Ω
Gain	-1 dBi	0 dBi	30 dBi
VSWR	1,5:1	2,1:1	1,5:1
Max Power	20 Watt	20 Watt	--
Rod Length	380 mm	265 mm	--
Rod Type	Antinoise	Smooth	--
Rod Thread	M6	Mounting	On roof
Base Angle	60 degree	Coachwork drilling	Square: 15 x 15 mm - Round: 19 mm
Protection Class	IP64	Note	

P/N 7771000 - Combi VHF



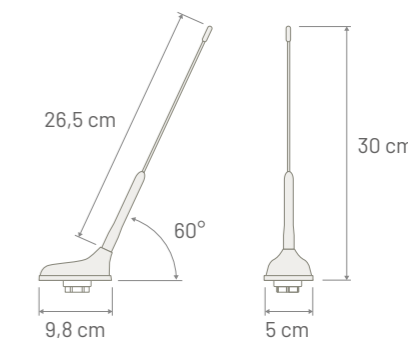
Dimensions



P/N 7771001 - Combi UHF



Dimensions



16V MONO

ROOF ANTENNA

AVAILABLE VERSIONS

VHF	UHF
•	
	•

P/N: 7771002 - VHF

P/N: 7771003 - UHF

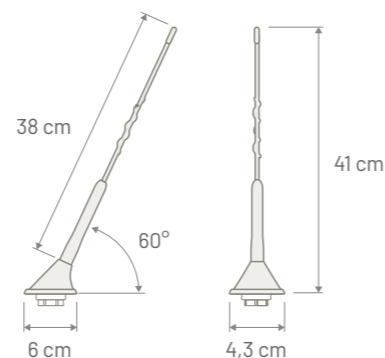
TECHNICAL SPECIFICATION

	VHF	UHF
Antenna connector	FAKRA Male Green	FAKRA Male Green
Antenna cable type	RG 174	RG 174
Antenna cable length	200 mm	200 mm
Extension cable type	RG 58	RG 58
Extension cable length	5000 mm	5000 mm
Extension cable connectors	FAKRA Female Green - FME Female	FAKRA Female Green - FME Female
Impedance	50 Ω	50 Ω
Gain	-1 dBi	0 dBi
VSWR	1,5:1	2,1:1
Max Power	20 Watt	20 Watt
Rod Length	380 mm	260 mm
Rod Type	Antinoise	Smooth
Rod Thread	M6	Mounting
Base Angle	60 degree	Coachwork drilling
Protection Class	IP64	Note

P/N 7771002 - VHF



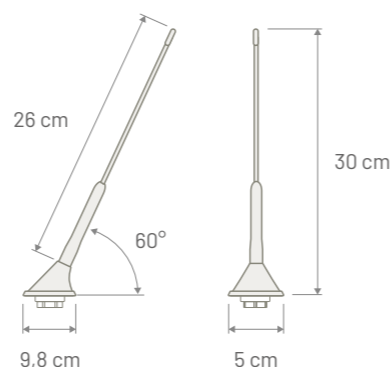
Dimensions



P/N 7771003 - UHF



Dimensions



TRIPLEX SHORT

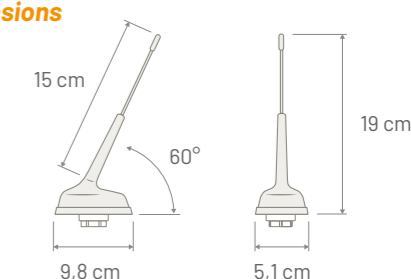
ROOF ANTENNA

P/N: 7771040	TETRA	WIFI / BLUETOOTH	GNSS
Connector	FAKRA Male Green	FAKRA Male Violet	FAKRA Male Blue
Cable Type	RG 174	RG 174	RG 174
Cable Length	200 mm	200 mm	250 mm
Power Supply	--	--	3 - 5 Volt Phantom
Consumption	--	--	45 mA max
Impedance	50 Ω	50 Ω	50 Ω
Gain	1 dBi	0 dBi	30 dBi
VSWR	2:1	2:1	1,5:1
Max power	20 Watt	4 Watt	--
Rod Length	150 mm	Base Angle	60 degree
Rod Type	Smooth	Protection Class	IP69K
Rod Thread	M5	Mounting	Square: 15 x 15 mm - Round: 19 mm

Note



Dimensions



Shark 2

SHARK 2 TETRA

NEW

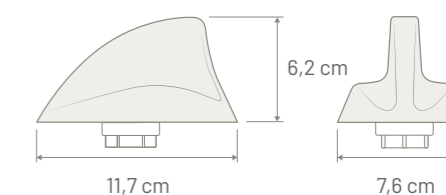
REAR ROOF ANTENNA

P/N: 7771015	TETRA
Connector	FAKRA Male Green
Cable Type	RG 174
Cable Length	250 mm
Impedance	50 Ω
Gain	-8 dBi
VSWR	2:1 @ 380 - 400 MHz - 2,5:1 @ 400 - 410 MHz
Max Power	10 Watt
Protection Class	IP68
Mounting	On roof mounting
Coachwork drilling	Square: 15 x 15 mm - Round: 19 mm

Note



Dimensions



**RSA QUAD**

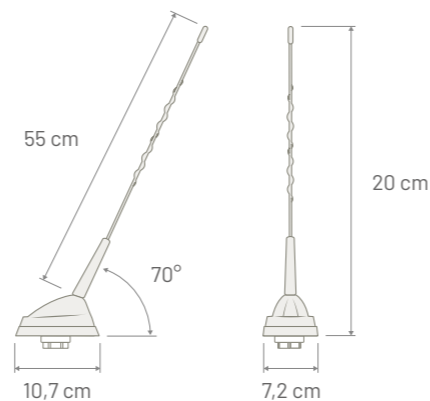
P/N: 7771020

**ROOF ANTENNA**

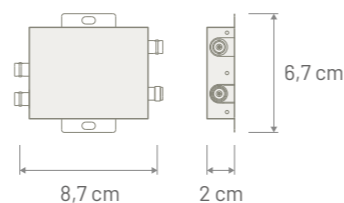
	TETRA	70/80 MHz	AM/FM	GNSS
Connector (Base antenna)	FAKRA Male Green	--	--	FAKRA Male BLUE
Cable Type (Base antenna)	RG 174	--	--	RG 174
Cable Length (Base antenna)	200 mm	--	--	220 mm
Connector (Multiplexer)	IN: TNC Female OUT: BNC FEMale	BNC Female	BNC Female	--
Power supply	--	--	Multiplexer: 12 Volt Phantom	3 - 5 Volt Phantom
Consumption	--	--	Multiplexer: 35 mA max	45 mA max
Impedance	50Ω	50Ω	AM: High Impedance - FM: 50 Ω	50 Ω
Gain	0 dBi	-5 dBi	FM: -10 dBi	28 dBi
VSWR	2:1	2.5:1	--	1,7:1
Max Power	10 Watt	15 Watt	--	--
Rod Length	550 mm	Protection Class		Antenna: IP69K - Multiplexer: IP42
Rod Type	Antinoise	Mounting		Antenna: on roof - Multiplexer: inside the vehicle
Rod Thread	M5	Coachwork drilling		Square: 15x15 mm - Round: 19 mm
Base Angle	70 degree			

**Note** Extension cable included on the package to connect TETRA output on the antenna base to the Multiplexer  
Connectors: FAKRA Female Green and TNC Male - Type: RG 58 - Length: 3000 mm

**Dimensions**



**Dimensions**



**RSA TRIPLEX**

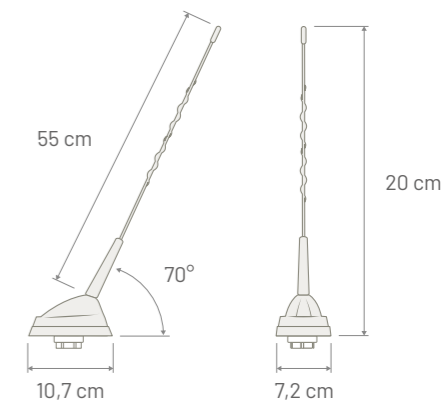
P/N: 7771025

**REAR ROOF ANTENNA**

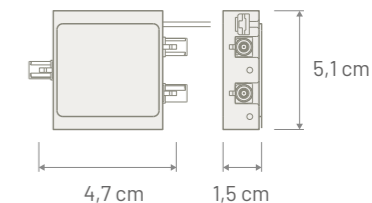
	TETRA	AM/FM	GNSS	
Connector (Base antenna)	FAKRA Male Green	--	FAKRA Male Blue	
Cable Type (Base antenna)	RG 174	--	RG 174	
Cable Length (Base antenna)	200 mm	--	220 mm	
Connector (Diplexer)	IN: FAKRA Male Black OUT: FAKRA Male Green	FAKRA Male White	--	
Power supply	--	Diplexer: 12 Volt Dedicated	3 - 5 Volt Phantom	
Consumption	--	Diplexer: 35 mA max	45 mA max	
Impedance	50 Ω	AM: High Impedance - FM: 50 Ω	50 Ω	
Gain	0 dBi	FM: -10 dBi	32 dBi	
VSWR	2:1	--	2:1	
Max Power	10 Watt	--	--	
Rod Length	550 mm	Protection Class		Antenna: IP69K - Diplexer: IP42
Rod Type	Antinoise	Mounting		Antenna: on roof - Multiplexer: inside the vehicle
Rod Thread	M5	Coachwork drilling		Square: 15x15 mm - Round: 19 mm
Base Angle	70 degree			

**Note** Adapter cable included on the package to connect TETRA output on the antenna base to the Diplexer  
Connectors: FAKRA Female Green and FAKRA Female Black - Type: RG 174 - Length: 150 mm

**Dimensions**



**Dimensions**



**MIB QUAD**

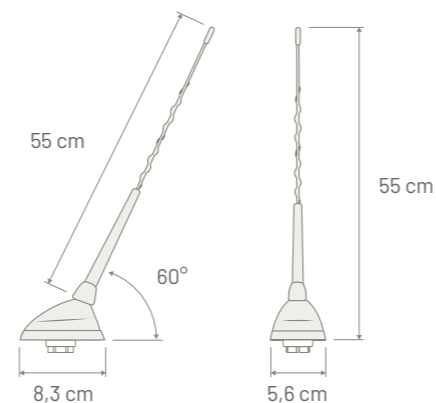
**ROOF ANTENNA**

P/N: 7771030	TETRA	70/80 MHz	AM/FM	GNSS
Connector (Base antenna)	FAKRA Male Green	--	--	FAKRA Male Blue
Connector (Multiplexer)	IN: TNC Female OUT: BNC Female	BNC Female	BNC Female	--
Power supply	--	--	Multiplexer: 12 Volt Phantom	4.5 - 5.5 Volt Phantom
Consumption	--	--	Multiplexer: 35 mA max	20mA max
Impedance	50 Ω	50 Ω	AM: High Impedance - FM: 50 Ω	50 Ω
Gain	0 dBi	-5 dBi	FM: -10 dBi	32 dBi
VSWR	2:1	2,5:1	--	2:1
Max Power	10 Watt	15 Watt	--	--
Rod Length	545 mm			
Rod Type	Antinoise			
Rod Thread	M5			
Base Angle	60 degree			
Protection Class	Antenna : IP69K - Multiplexer: IP42			
Mounting	Antenna: on roof - Multiplexer: inside the vehicle			
Coachwork drilling	Square: 31,6 x 33,6 mm (VW Group MIB on roof hole)			

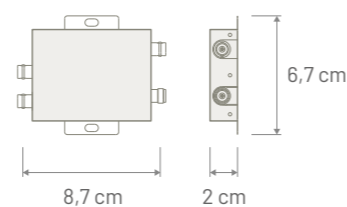
**Note** Extension cable included on the package to connect TETRA output on the antenna base to the Multiplexer  
Connectors: FAKRA Female Green and TNC Male - Type: RG 58 - Length: 3000 mm



**Dimensions**



**Dimensions**



## BUILDINGS

ARRAY .....	56
FIBERGLASS .....	57
COMPACT .....	58
MODEM .....	59

*Calearo offers a range of highly professional antennas with WI-FI, GSM, UMTS, LTE and Bluetooth bands for professional application like base station, industrial automation, remote control and M2M communications.*



**ARRAY FULL** <sup>LTE</sup>

OMNIDIRECTIONAL ANTENNA

AVAILABLE VERSIONS

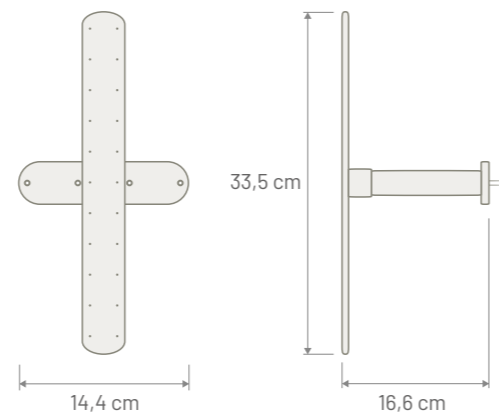
	CONNECTOR	CABLE LENGTH	CABLE TYPE
P/N: 8610138	SMA Male	5000 mm	Low Loss
P/N: 8610139	FME Female	5000 mm	Low Loss
P/N: 8610141	SMA Male	10000 mm	Low Loss
P/N: 8610142	SMA Male	12000 mm	Low Loss

TECHNICAL SPECIFICATION

	GSM - LTE	DCS	UMTS	WIFI - LTE
Frequency	790 ÷ 960 MHz	1710 ÷ 1880 MHz	1920 ÷ 2170 MHz	2400 ÷ 2700 MHz
Impedance	50 Ohm	50 Ohm	50 Ohm	50 Ohm
Gain	5 dBi	5 dBi	6 dBi	5 dBi
VSWR	< 2.5	< 2.0	< 2.0	< 2.0
Max Power	20 Watt	10 Watt	10 Watt	6 Watt
Protection Class	IP54			
Mounting	On mast with special bracket (included) / On wall with two screws (not included)			

Note The special bracket is compatible with mast diameter between 25 to 42 mm

Dimensions



**FIBERGLASS FULL** <sup>LTE</sup>

OMNIDIRECTIONAL ANTENNA

AVAILABLE VERSIONS

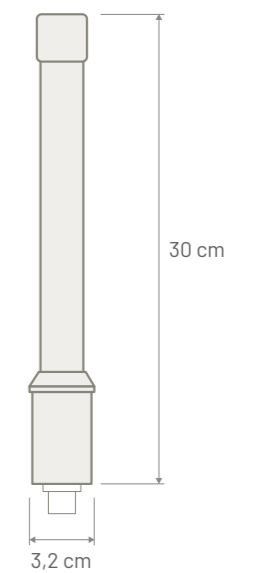
	CONNECTOR	CABLE LENGTH	CABLE TYPE
P/N: 8610155	N Female	without extension cable	without extension cable
P/N: 8610156	SMA Male	5000 mm	Low Loss

TECHNICAL SPECIFICATION

	LTE - ISM - GSM	DCS - PCN - DECT - UMTS - WIFI
Frequency	790 ÷ 960 MHz	1710 ÷ 2700 MHz
Impedance	50 Ohm	50 Ohm
Gain	2 dBi	4 dBi
VSWR	< 2.2	< 2.2
Max Power	25 Watt	25 Watt
Protection Class	IP54	
Mounting	On mast / On wall with special steel bracket (included)	

Note The special bracket is compatible with mast diameter between 35 to 42 mm

Dimensions



Mounting scheme



**COMPACT FULL** <sup>LTE</sup>

DIRECTIONAL ANTENNA

AVAILABLE VERSIONS

	CONNECTOR	CABLE LENGTH	CABLE TYPE
P/N: 8610144	SMA Male	5000 mm	Low Loss
P/N: 8610145	FME Female	5000 mm	Low Loss

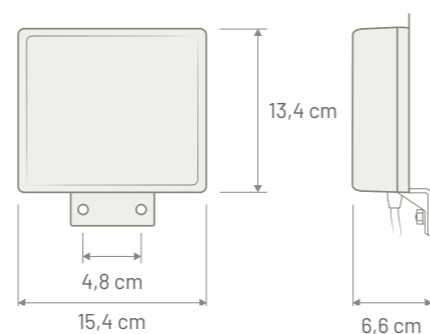
TECHNICAL SPECIFICATION

	LTE - GSM	DCS	UMTS	LTE - WIFI
Frequency	790 ÷ 960 MHz	1710 ÷ 1880 MHz	1920 ÷ 2170 MHz	2300 - 2700 MHz
Impedance	50 Ohm	50 Ohm	50 Ohm	50 Ohm
Gain	6,5 dBi ± 0,5 dBi	9 dBi	9 dBi	8,5 dBi ± 0,5 dBi
VSWR	< 2.0	< 2.0	< 2.0	< 2.0
Max Power	30 Watt	15 Watt	10 Watt	10 Watt
Protection Class	IP54			
Mounting	On mast / On wall			

Note



Dimensions



**MONOPOLE EVOLUTION** <sup>TRIBAND</sup>

OMNIDIRECTIONAL ANTENNA

AVAILABLE VERSIONS

	CONNECTOR
P/N: 8610103	SMA Male 90°
P/N: 8610118	FME Female

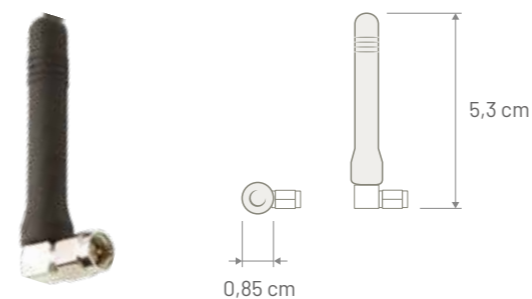
TECHNICAL SPECIFICATION

	GSM - DCS/UMTS - WIFI/BLUETOOTH
Impedance	50 Ohm
Gain	2.2 dBi
VSWR	< 2:1
Max Power	2.5 Watt
Mounting	Directly to the modem antenna connector or the extension cable

Note

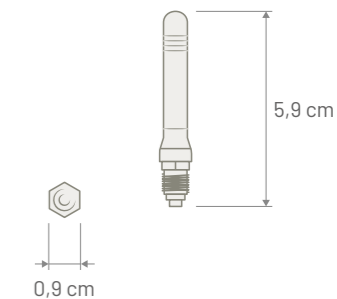
P/N 8610103

Dimensions



P/N 8610118

Dimensions



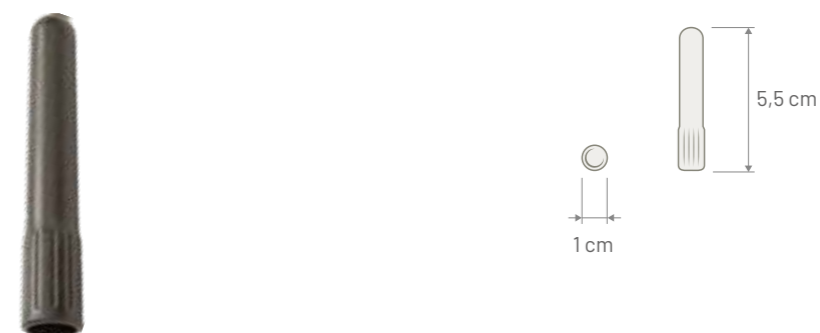
**MONOPOLE** <sup>DUAL BAND</sup>

OMNIDIRECTIONAL ANTENNA

P/N: 8610010	GSM / DCS
Connector type	SMA Male
Impedance	50 Ohm
Gain	2.15 dBi
VSWR	≤ 2:1
Max Power	4 watt
Mounting	Directly to the modem antenna connector or the extension cable

Note

Dimensions



## SERVICE BOX

---

DAB & PLAY .....	62
SPLITTER .....	64
LOCATIONING .....	66
RADIO .....	67

---

*The Service Box range allow to manage the antenna signals for split, amplified or recover some specific functions. They works with Calearo antennas and with some OEM antennas.*



**DAB & PLAY** ACTIVE

AMPLIFIER

AVAILABLE VERSIONS

MAIN APPLICATION

P/N: 7590007 - AMPLIFIER	Seat Leon (5F) - Skoda Fabia (NJ) and Octavia (5E) - Volkswagen Golf 6, Golf 7, Tiguan (5N) and Touran (5T)
P/N: 7590009 - AMPLIFIER	Volkswagen Passat (B7) and Passat (B8)

TECHNICAL SPECIFICATION

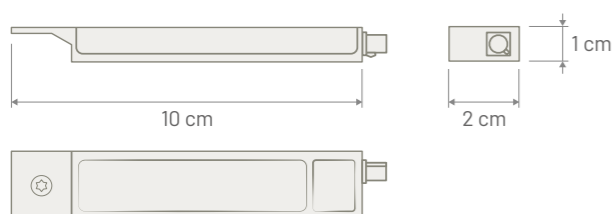
FM / DAB

Short description	Replace the original FM amplifier to add DAB antenna prepared on the original rear or side glass
Connector	DOUBLE FAKRA Male Black
Extension Cable Connectors	DOUBLE FAKRA Female Black and SMB Female
Extension Cable Type	RG 174
Extension Cable Length	6500 mm
Power Supply	8,5 ÷ 12 Volt Phantom
Consumption	50 mA max
Impedance	50 Ohm
Gain	FM: 6 dB / DAB: 19 dB
VSWR	< 2:1
Protection Class	IP52
Mounting	Replace the original amplifier

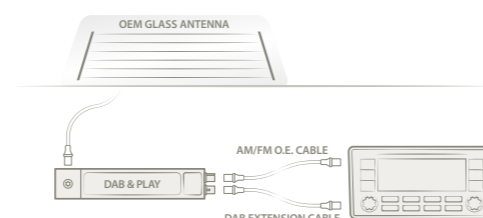
Note DAB&PLAY amplifier work in selected Volkswagen, Seat and Skoda vehicles with prepared DAB antenna into the original glass



Dimensions



Mounting scheme



**DAB & PLAY** PASSIVE

BY-PASS

AVAILABLE VERSIONS

MAIN APPLICATION

P/N: 7590008 - PASSIVE BY-PASS	Volkswagen, Seat and Skoda vehicles with prepared on glass original DAB antenna Note: the by-pass must be completed with Active Splitter P/N 7561004 and adapters cables sold separately
P/N: 7590013 - PASSIVE BY-PASS KIT	Volkswagen Golf 6 and 7 Note: by-pass is complete with the Active Splitter P/N 7561004 and a special cables kit for Volkswagen head unit

TECHNICAL SPECIFICATION

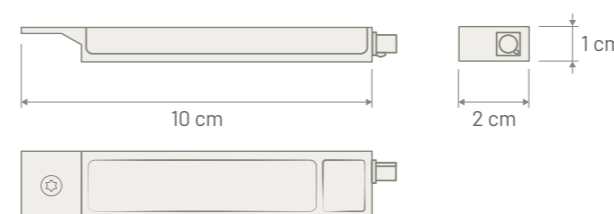
FM / DAB

Short description	Replace the original FM amplifier to add DAB antenna prepared on the original rear or side glass
Connector	FAKRA Male Waterblue
Impedance	50 Ohm
Protection Class	IP52
Mounting	Replace the original amplifier

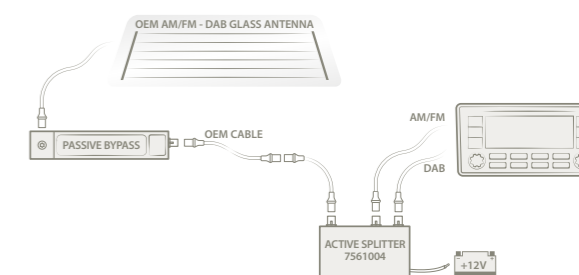
Note The P/N 7590008 is suitable only for a head unit with hybrid tuner (FM and DAB with only one antenna connector), or combined with Active Splitter and cables kit  
The P/N 7590013 is suitable for any application with original VW head unit or aftermarket head unit with Fakra connectors  
DAB&PLAY passive by-pass work only in Volkswagen vehicle with prepared DAB antenna into the original glass. Contact your car dealer to check if glass is prepared



Dimensions



Mounting scheme



## ACTIVE SPLITTER AM / FM / DAB

SPLITTER

### AVAILABLE VERSIONS

#### ADAPTER CABLES

P/N: 7561004 - ACTIVE SPLITTER	Without adapter cables into the package
P/N: 7562030 - ACTIVE SPLITTER KIT DIN	Antenna IN: DIN Female / AM/FM OUT: DIN Male / DAB OUT: SMB Female 90° / Length: 500 mm
P/N: 7132087 - ACTIVE SPLITTER KIT DIN/ISO	Antenna IN: ISO Female / AM/FM OUT: DIN Male / DAB OUT: SMB Female 90° / Length: 500 mm

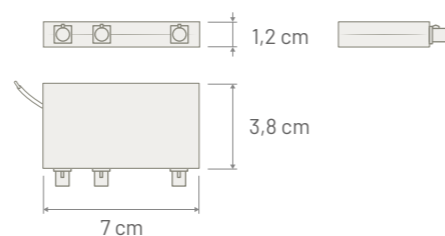
### TECHNICAL SPECIFICATION

#### AM / FM / DAB

Short description	AM/FM/DAM Splitter allow to recover the DAB signals from an AM/FM passive antenna ready for digital radio
Active Splitter Connectors	FAKRA Male Waterblue for IN and OUT
Power Supply	12 Volt dedicated
Consumption	110 mA
Impedance	50 Ohm
Gain	AM: 25 dB / FM: 12 dB / DAB: 20 dB
VSWR	FM: 3 : 1 / DAB: 2.5 : 1
Protection Class	IP40
Mounting	Internal of the vehicle with double-sided tape or plastic ties

**Note** The AM/FM/DAB Active Splitter work only with AM/FM passive antennas prepared to receive the DAB signals  
The AM/FM/DAB Active Splitter is not suitable for active antenna systems

### Dimensions



## CABLE FOR ACTIVE AND PASSIVE SPLITTER AM / FM / DAB

### AVAILABLE VERSIONS

	SPLITTER CONNECTOR SIDE	CABLE TYPE	CABLE LENGTH	ANTENNA / TUNER CONNECTOR SIDE
P/N: 7132078	FAKRA Female Waterblue	RG 174	500 mm	ISO Female
P/N: 7132079	FAKRA Female Waterblue	RG 58	500 mm	DIN Male
P/N: 7132080	FAKRA Female Waterblue	RG 174	500 mm	ISO Male
P/N: 7132081	FAKRA Female Waterblue	RG 174	500 mm	FAKRA Male Waterblue

**Note** Adapter cables could be used for any other applications

## PASSIVE SPLITTER AM / FM / DAB NEW

SPLITTER

### AVAILABLE VERSIONS

#### ADAPTER CABLES

P/N: 7561006 - PASSIVE SPLITTER	Without adapter cables into the package
P/N: 7561007 - PASSIVE SPLITTER KIT DIN	Antenna IN: DIN Female / AM/FM OUT : DIN Male / DAB: SMB Female 90°
P/N: 7561008 - PASSIVE SPLITTER KIT DIN/ISO	Antenna IN: ISO Female / AM/FM OUT : DIN Male / DAB: SMB Female 90°

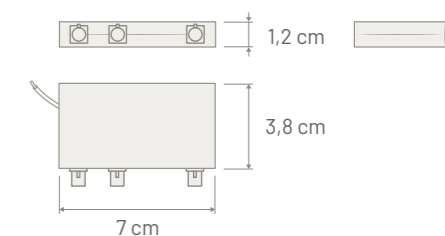
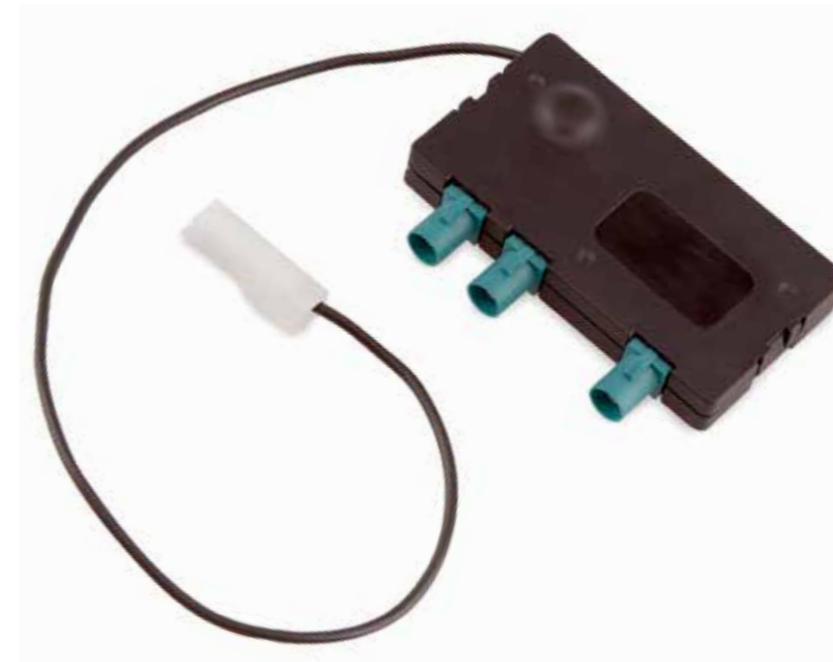
### TECHNICAL SPECIFICATION

#### AM / FM / DAB

Short description	AM/FM/DAM Passive Splitter allow to recover the DAB signals from an AM/FM active or passive antenna ready for digital radio
Active Splitter Connectors	FAKRA Male Waterblue for IN and OUT
Power Supply	--
Consumption	--
Impedance	50 Ohm
Gain	-2 dB
VSWR	FM: 2 : 1 / DAB: 2 : 1
Protection Class	IP40
Mounting	Internal of the vehicle with adhesive tape or plastic cable tie

**Note** The AM/FM/DAB Passive Splitter work only with AM/FM active or passive antennas ready to receive the DAB signals  
The AM/FM/DAB Passive Splitter is suitable for active antenna with 12 Volt phantom supply

### Dimensions



### AVAILABLE VERSIONS

	SPLITTER CONNECTOR SIDE	CABLE TYPE	CABLE LENGTH	ANTENNA / TUNER CONNECTOR SIDE
P/N: 7132082	FAKRA Female Waterblue	RG 174	500 mm	SMB Female 90°
P/N: 7132083	FAKRA Female Waterblue	RG 174	500 mm	SMA Male
P/N: 7132084	FAKRA Female Waterblue	RG 174	500 mm	FAKRA Female Waterblue
P/N: 7132085	FAKRA Female Waterblue	RG 58	500 mm	DIN Female

**Note** Adapter cables could be used for any other applications

## GNSS SPLITTER

SPLITTER

### MAIN APPLICATION

GNSS Splitter allow to connect two different devices to a same GNSS antenna

P/N: 7562019

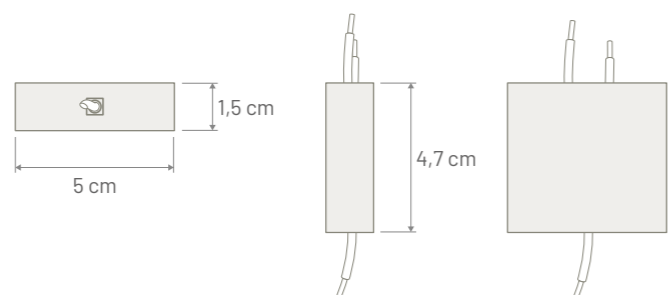
### TECHNICAL SPECIFICATION

GNSS Antenna side : Connector	FAKRA Male Blue
GNSS Antenna side : Cable Length	150 mm
GNSS Antenna side : Cable Type	RG 174
Device side : Connector	FAKRA Female Blue
Device side : Cable Length	480 mm
Device side : Cable Type	RG 174
Power Supply	3 - 5 Volt Phantom
Consumption	45 mA max
Impedance	50 Ω
Gain	-4,5 dB
VSWR	2:1
Protection Class	IP 42
Mounting	Internal / Adhesive

Note



### Dimensions



## DIVERSITY ADAPTER

ADAPTER

### MAIN APPLICATION

Volkswagen Group vehicles without diversity system

P/N: 7562016

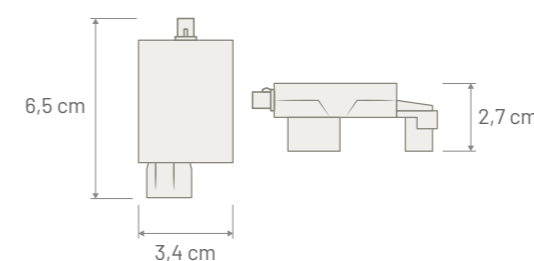
### TECHNICAL SPECIFICATION

Short description	Radio Diversity adapter allow to install an original VW radio with diversity system in a vehicle with standard antenna
Connector Original Antenna Side	FAKRA Male White
Connector VW Radio Side	DOUBLE FAKRA Female White
Power Supply	12 Volt phantom
Consumption	15 mA max
Gain	0 dB
Mounting	Rear of original VW radio - adhesive mounting

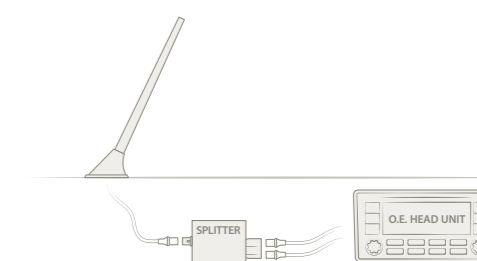
Note



### Dimensions



### Mounting scheme



## **ADAPTERS & CABLES**

---

ADAPTERS .....	70
EXTENSION CABLES .....	73
TABLE OF CONNECTORS .....	75

---

### AM/FM ADAPTER CABLES

FOR CALEARO ANTENNAS

	ANTENNA SIDE	CABLE TYPE	CABLE LENGHT	ORIGINAL CABLE SIDE	COMPATIBILITY
P/N: 7581160	FAKRA Female White	RG58	150 mm	BPN Male	Audi > 1994 / Opel > 2001
P/N: 7581161	FAKRA Female White	RG58	150 mm	ROKA Male	Audi 1994 <> 2001 Volvo V40 > 2004 / Mini > 2005
P/N: 7581162	FAKRA Female White	RG174	1200 mm	FAKRA Female White / Waterblue	FCA 2010 > / PSA 2010 > FORD > 2019
P/N: 7581163	FAKRA Female White	75 Ohm	1170 mm	HC 97 Female (RAKU 2 Female)	Renault > 2009 / PSA > 2009
P/N: 7581164	FAKRA Female Waterblue	RG174	1200 mm	FAKRA Male Waterblue	Renault (AM/FM and DAB cables) 2009 > Nissan (DAB cable) 2012 >
P/N: 7581165	FAKRA Female White	75 Ohm	150 mm	DIN Male	Vehicles with DIN Female connector on the original cable
P/N: 7581166	FAKRA Female White	RG174	220 mm	Opel 4 POLE	Opel > 2010
P/N: 7581167	FAKRA Female White	RG174	200 mm	GT13 Female (GT13SS-1/1S-HU)	Nissan (AM/FM cable) 2012 >
P/N: 7581168	FAKRA Female White	RG174	200 mm	GT13 Female (GT13SC-1/1S-HU)	Suzuki 2012 >

Note Adapter cables for AM/FM function to connect a Calearo Antenna with FAKRA Male White connector to the car original cable

### AM/FM ADAPTER CABLE

FOR CAR RADIO

	ORIGINAL CABLE SIDE	CABLE TYPE	CABLE LENGHT	CAR RADIO SIDE	COMPATIBILITY
P/N: 7581101	FAKRA Male White / Black	RG174	150 mm	ISO Male	BMW / Mercedes / PSA / Opel

Note Adapter cables for AM/FM function to connect the car original cable with FAKRA Female Connector to an AfterMarket car radio

### AM/FM COMPACT ISO/DIN CONNECTOR ADAPTERS

	DESCRIPTION
P/N: 7420002	Change ISO Male Connector to DIN Male
P/N: 7420003	Change DIN Male Connector to ISO Male



Note

### AM/FM DIN CONNECTOR FOR WELDING

	DESCRIPTION
P/N: 7130003	DIN Male Connector for on cable welding
P/N: 7542030	DIN Female Connector for on cable welding



Note

### DAB PHANTOM FEEDING ADAPTER

FOR DAB ANTENNAS

	ORIGINAL CABLE SIDE	CABLE LENGHT	HEAD UNIT SIDE	POWER SUPPLY
P/N: 7581134	SMB Male	250 mm	SMB Female	12 Volt

Note Housing for change the SMB Female connector to FAKRA Female connector included into the package



### AM/FM PHANTOM FEEDING ADAPTERS

FOR AM/FM ANTENNAS

	ORIGINAL CABLE SIDE	CABLE LENGHT	HEAD UNIT SIDE	POWER SUPPLY
P/N: 7581059	ISO Female	240 mm	DIN Male	12 Volt



FOR AM/FM ANTENNAS

	ORIGINAL CABLE SIDE	CABLE LENGHT	HEAD UNIT SIDE	POWER SUPPLY
P/N: 7581107	FAKRA Male Waterblue	250 mm	ISO Male	12 Volt



FOR AM/FM ANTENNAS WITH DIVERSITY SYSTEM

	ORIGINAL CABLE SIDE	CABLE LENGHT	HEAD UNIT SIDE	POWER SUPPLY
P/N: 7581135	FAKRA Male Waterblue x 2	400 mm	DIN Male	12 Volt



### DTT ADAPTERS

FOR CALEARO TV ANTENNAS

	CABLE ANTENNA SIDE	CABLE TYPE	CABLE LENGHT	DEVICE SIDE	NOTE
P/N: 7132020	JACK Female 3,5 mm	75 Ohm coaxial	200 mm	F Male	Adapters to change the F Female connector to IEC Male and IEC Female included in the package
P/N: 7132074	JACK Female 3,5 mm	75 Ohm coaxial	200 mm	FAKRA Female Green	
P/N: 7581157	FAKRA Male Green	75 Ohm coaxial	150 mm	F Male	Adapters to change the F Female connector to IEC Male and IEC Female included in the package

Note

### SMB ADAPTER CABLES

	ANTENNA CABLE SIDE	CABLE TYPE	CABLE LENGHT	DEVICE SIDE	NOTE
P/N: 7181113	SMB Male	RG174	120 mm	GT 16 Female (GT16F-1S-HU(B))	Pioneer GPS Receiver
P/N: 7581106	SMB Male	RG174	120 mm	MCX Male	
P/N: 7581109	SMB Male	RG174	120 mm	SMA Male	
P/N: 7581077	SMB Male	RG174	150 mm	GT 5 Female (GT5-1S-HU)	Alpine GPS Receiver
P/N: 7581118	SMB Male	RG174	150 mm	SMB Female 90°	
P/N: 7581123	SMB Male	RG174	200 mm	FAKRA Female	Blue, Black and Waterblue housing supplied in the package

Note

### FME ADAPTER CABLES

	ANTENNA CABLE SIDE	CABLE TYPE	CABLE LENGHT	DEVICE SIDE
P/N: 7127220	FME Male	RG174	200 mm	MCX Male
P/N: 7131041	FME Male	RG174	150 mm	MMCX Male 90°
P/N: 7581122	FME Male	RG174	200 mm	FAKRA Female Bordeaux
P/N: 7581105	FME Male	RG174	200 mm	FAKRA Female 90° Bordeaux

Note

### FME ADAPTER CONNECTORS

	ANTENNA CABLE SIDE	DEVICE SIDE
P/N: 7131003	FME Male	BNC

	ANTENNA CABLE SIDE	DEVICE SIDE
P/N: 7131005	FME Male	MINI UHF

	ANTENNA CABLE SIDE	DEVICE SIDE
P/N: 7131006	FME Male	TNC

	ANTENNA CABLE SIDE	DEVICE SIDE
P/N: 7131009	FME Male	SMA Male

	ANTENNA CABLE SIDE	DEVICE SIDE
P/N: 7131011	FME Male	FME Male

Note

### FME CONNECTOR FOR WELDING

	DESCRIPTION
P/N: 7131004	FME Female Connector for on cable RG58 WELDING

Note

### FAKRA ADAPTER CABLES

	ANTENNA CABLE SIDE	CABLE TYPE	CABLE LENGHT	DEVICE SIDE
P/N: 7581071	FAKRA Male Waterblue	RG174	150 mm	SMA Male
P/N: 7581072	FAKRA Male Waterblue	RG174	150 mm	SMB Female 90°
P/N: 7132078	FAKRA Female Waterblue	RG 174	500 mm	ISO Female
P/N: 7132079	FAKRA Female Waterblue	RG 58	500 mm	DIN Male
P/N: 7132080	FAKRA Female Waterblue	RG 174	500 mm	ISO Male
P/N: 7132081	FAKRA Female Waterblue	RG 174	500 mm	FAKRA Male Waterblue
P/N: 7132082	FAKRA Female Waterblue	RG 174	500 mm	SMB Female 90°
P/N: 7132083	FAKRA Female Waterblue	RG 174	500 mm	SMA Male
P/N: 7132084	FAKRA Female Waterblue	RG 174	500 mm	FAKRA Female Waterblue
P/N: 7132085	FAKRA Female Waterblue	RG 58	500 mm	DIN Female

Note

### FAKRA/DIN EXTENSION CABLES FOR AM/FM WITH PHANTOM FEEDING

	ANTENNA SIDE	CABLE TYPE	CABLE LENGHT	DEVICE SIDE
P/N: 7561011	FAKRA Female White	RG58	3 meters	DIN Male
P/N: 7561012	FAKRA Female White	RG58	5 meters	DIN Male
P/N: 7561013	FAKRA Female White	RG58	7 meters	DIN Male
P/N: 7561014	FAKRA Female White	RG58	9 meters	DIN Male
P/N: 7561015	FAKRA Female White	RG58	12 meters	DIN Male

Note Black, Blue and Waterblue housing for FAKRA Female connector included in the package

### FAKRA EXTENSION CABLES FOR AM/FM-DAB-DTT WITH ADDITIONAL CABLE FOR DEDICATED POWER SUPPLY

	ANTENNA SIDE	CABLE TYPE	CABLE LENGHT	DEVICE SIDE	APPLICATION
P/N: 7581173	FAKRA Female White	75 Ohm coaxial	3 meters	ISO Male	AM/FM
P/N: 7581175	FAKRA Female White	75 Ohm coaxial	5 meters	ISO Male	AM/FM
P/N: 7581177	FAKRA Female White	75 Ohm coaxial	7 meters	ISO Male	AM/FM
P/N: 7581183	FAKRA Female White	75 Ohm coaxial	3 meters	DIN Male	AM/FM
P/N: 7581185	FAKRA Female White	75 Ohm coaxial	5 meters	DIN Male	AM/FM
P/N: 7581187	FAKRA Female White	75 Ohm coaxial	7 meters	DIN Male	AM/FM
P/N: 7581193	FAKRA Female Waterblue	75 Ohm coaxial	3 meters	FAKRA Female Waterblue	AM/FM - DAB - DTT
P/N: 7581195	FAKRA Female Waterblue	75 Ohm coaxial	5 meters	FAKRA Female Waterblue	AM/FM - DAB - DTT
P/N: 7581197	FAKRA Female Waterblue	75 Ohm coaxial	7 meters	FAKRA Female Waterblue	AM/FM - DAB - DTT

Note

### FAKRA/SMB EXTENSION CABLES

FOR CALEARO ANTENNAS

	ANTENNA SIDE	CABLE TYPE	CABLE LENGHT	DEVICE SIDE
P/N: 7581010	FAKRA Female	RG174	1 meter	SMB Female
P/N: 7581011	FAKRA Female	RG174	3 meters	SMB Female
P/N: 7581012	FAKRA Female	RG174	5 meters	SMB Female
P/N: 7581013	FAKRA Female	RG174	7 meters	SMB Female
P/N: 7581014	FAKRA Female	RG174	9 meters	SMB Female
P/N: 7581015	FAKRA Female	RG174	12 meters	SMB Female

Note Housing Black, Blue and Waterblue for FAKRA Female Connector included in the package

### FAKRA WATERPROOF/SMB EXTENSION CABLES

FOR CALEARO ANTENNAS

	ANTENNA SIDE	CABLE TYPE	CABLE LENGHT	DEVICE SIDE
P/N: 7581147	FAKRA Female Waterblue	RG174	3,5 meters	SMB Female
P/N: 7581148	FAKRA Female Waterblue	RG174	5 meters	SMB Female

Note WATERPROOF FAKRA Connector

### FAKRA/FME EXTENSION CABLE

FOR CALEARO ANTENNAS

	ANTENNA SIDE	CABLE TYPE	CABLE LENGHT	DEVICE SIDE
P/N: 7581116	FAKRA Female	RG58	5 meters	FME Female

Note Black, White, Bordeaux and Green housing for FAKRA Female connector included in the package

### FAKRA/SMA EXTENSION CABLES FOR WIFI

FOR CALEARO ANTENNAS

	ANTENNA SIDE	CABLE TYPE	CABLE LENGTH	DEVICE SIDE
P/N: 7581170	FAKRA Female Violet	RG 58 LOW LOSS	3 meters	SMA Male
P/N: 7581171	FAKRA Female Violet	RG 58 LOW LOSS	5 meters	SMA Male
P/N: 7581172	FAKRA Female Violet	RG 58 LOW LOSS	7 meters	SMA Male

Note RG58 LOW LOSS special cables for high frequencies

### DIN EXTENSION CABLES FOR AM/FM

	CABLE SIDE	CABLE TYPE	CABLE LENGTH	DEVICE SIDE
P/N: 7581020	DIN Female	AR7	0,5 meter	DIN Male
P/N: 7581023	DIN Female	AR7	1 meter	DIN Male
P/N: 7581029	DIN Female	AR7	3 meters	DIN Male
P/N: 7581034	DIN Female	AR7	4,5 meters	DIN Male

Note

### SMB EXTENSION CABLES

	CABLE SIDE	CABLE TYPE	CABLE LENGTH	DEVICE SIDE
P/N: 7581094	SMB Female	RG174	1 meter	SMB Male
P/N: 7581095	SMB Female	RG174	3 meters	SMB Male
P/N: 7581096	SMB Female	RG174	5 meters	SMB Male

Note

### FME EXTENSION CABLES

	ANTENNA/CABLE SIDE	CABLE TYPE	CABLE LENGTH	DEVICE SIDE
P/N: 7581046	FME Female	RG58	1,5 meters	FME Female
P/N: 7581045	FME Female	RG58	5 meters	FME Female
P/N: 8510031	FME Male	LOW LOSS	5 meters	FME Female

Note

### LOW LOSS EXTENSION CABLES WITH N AND SMA CONNECTORS

	ANTENNA/CABLE SIDE	CABLE TYPE	CABLE LENGTH	DEVICE SIDE
P/N: 8510015	N Male	LOW LOSS	2 meters	SMA Male
P/N: 8510009	N Male	LOW LOSS	5 meters	SMA Male

Note

### LOW LOSS EXTENSION CABLES WITH SMA CONNECTORS

	ANTENNA/CABLE SIDE	CABLE TYPE	CABLE LENGTH	DEVICE SIDE
P/N: 7131047	SMA Female	LOW LOSS	5 meters	SMA Male - REVERSE POLARITY
P/N: 8510004	SMA Female	LOW LOSS	2 meters	SMA Male
P/N: 8510050	SMA Female	LOW LOSS	4 meters	SMA Male
P/N: 8510029	SMA Female	LOW LOSS	5 meters	SMA Male
P/N: 8510051	SMA Female	LOW LOSS	8 meters	SMA Male
P/N: 8510064	SMA Female	LOW LOSS	10 meters	SMA Male
P/N: 8510012	SMA Female	LOW LOSS	25 meters	SMA Male

Note

FAKRA	COLOUR	CODE KEY	TYPICAL APPLICATION
 FAKRA Male	Black	A	AM/FM - DAB
	White	B	AM/FM
	Blue	C	GPS - GNSS
	Bordeaux	D	GSM/UMTS/LTE
	Green	E	TV - UHF - VHF
	Brown	F	DAB (NISSAN/RENAULT)
	Grey	G	DAB (FCA)
	Violet	H	WIFI
	Waterblue	Z	UNIVERSAL
	 FAKRA Female		

<p><b>BP</b></p> BPN Male	<p><b>GT</b></p> GT13 Female (GT13-SH)	<p><b>ISO</b></p> ISO Female	<p><b>SMA</b></p> SMA Female
<p><b>BPN Female</b></p> BPN Female	<p><b>GT13 Female (GT13-SS)</b></p> GT13 Female (GT13-SS)	<p><b>ISO Male</b></p> ISO Male	<p><b>SMA Male</b></p> SMA Male
<p><b>DIN</b></p> DIN Female	<p><b>GT16 Female</b></p> GT16 Female	<p><b>JACK</b></p> JACK Female 3,5 mm	<p><b>SMA Male RP (Reverse Polarity)</b></p> SMA Male RP (Reverse Polarity)
<p><b>DIN Male</b></p> DIN Male	<p><b>GT5 Female</b></p> GT5 Female	<p><b>MCX</b></p> MCX Male	<p><b>SMB</b></p> SMB Female
<p><b>F</b></p> F Male	<p><b>HC</b></p> HC97 Male (RAKU 2 Male)	<p><b>MMCX</b></p> MMCX Male 90°	<p><b>SMB Female 90 degree</b></p> SMB Female 90°
<p><b>FME</b></p> FME Female	<p><b>HC97 Female (RAKU2 Female)</b></p> HC97 Female (RAKU2 Female)	<p><b>N</b></p> N Male	<p><b>SMB Male</b></p> SMB Male
<p><b>FME Male</b></p> FME Male	<p><b>HC Male</b></p> HC Male	<p><b>N Female</b></p> N Female	
<p><b>OPEL</b></p> OPEL	<p><b>IEC</b></p> IEC 9,5	<p><b>ROKA</b></p> ROKA Male	

## ACCESSORIES & SPARE PARTS

---

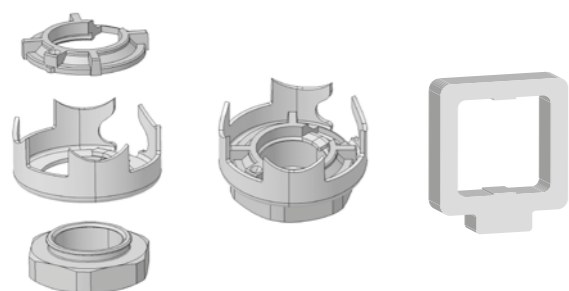
HOLE ADAPTERS .....	78
HOUSING FAKRA .....	78
ROD FOR SINGLE FUNCTION ANTENNAS .....	79
ROD FOR MULTIFUNCTIONAL ANTENNAS ...	80
ROD FOR CRITICAL ANTENNAS .....	81
ROD FOR GSM ANTENNAS .....	81

---



### HOLE ADAPTER

P/N: 7131050 **FCA 2012 >**

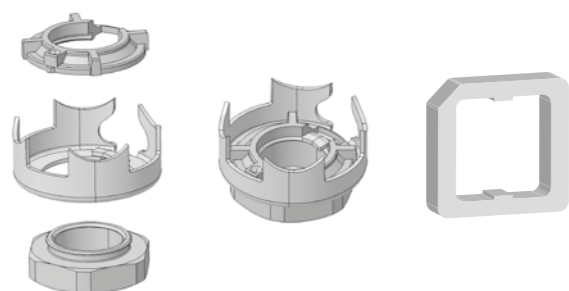


**Note** Only for SHARK 2 antennas

### HOLE ADAPTER

**FOR SHARK 2 ONLY**

P/N: 7131052 **OPEL 2009 >**



**Note** Only for SHARK 2 antennas

### HOLE COVER CAP

P/N: 7130005 **UNIVERSAL**



**Note** Hole cover cap diameter: 3 cm

### Housing Fakra

#### FAKRA HOUSING KIT **NEW**

P/N: 7131055 **WATERBLUE HOUSING FOR FAKRA MALE CONNECTOR**

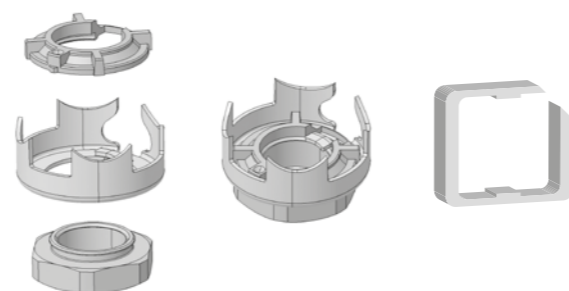


**Note** Kit contains 5 housing  
Allow to replace any FAKRA Male housing with the universal type

### HOLE ADAPTER

**FOR SHARK 2 ONLY**

P/N: 7131051 **FORD 2011 >**

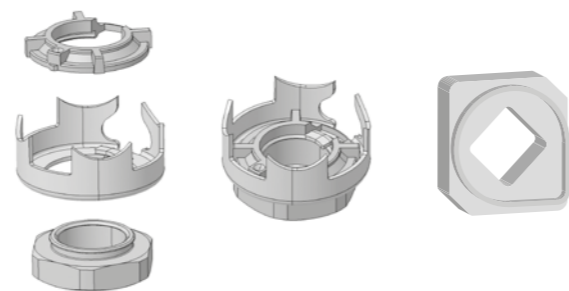


**Note** Only for SHARK 2 antennas

### HOLE ADAPTER

**FOR SHARK 2 ONLY**

P/N: 7131053 **VOLKSWAGEN MIB PLATFORM 2012 >**



**Note** Only for SHARK 2 antennas

#### FAKRA HOUSING KIT **NEW**

P/N: 7131056 **WATERBLUE HOUSING FOR FAKRA MALE CONNECTOR**



**Note** Kit contains 5 housing  
Allow to replace any FAKRA Female housing with the universal type

### 16V TYPE

P/N: 7551019	AM/FM		
Type	16V	Thread	M5
Lenght	410 mm		



### 16V TYPE

P/N: 7551039	AM/FM		
Type	16V	Thread	M5
Lenght	300 mm		



**Note** Antinoise Coil

### FIBERGLASS

P/N: 7552012	AM/FM		
Type	FIBERGLASS	Thread	M6
Lenght	400 mm		



### RUBBER

P/N: 7550028	AM/FM		
Type	RUBBER	Thread	M6
Lenght	360 mm		



### 16V TYPE

P/N: 7551037	AM/FM		
Type	16V	Thread	M5
Lenght	410 mm		



**Note** Antinoise Coil

### 16V TYPE

P/N: 7551033	DAB		
Type	16V	Thread	M6
Lenght	410 mm		



**Note** Antinoise Coil

### FIBERGLASS

P/N: 7552017	AM/FM		
Type	FIBERGLASS	Thread	M6
Lenght	840 mm		



**16V TYPE**

P/N: 7551027		AM/FM - GSM	
Type	16V	Thread	M6
Lenght	410 mm		



Note Antinoise Coil

**16V TYPE**

P/N: 7552090		AM/FM - DAB	
Type	16V Short	Thread	M5
Lenght	200 mm		



Note Smooth

**FLEXI**

P/N: 7551046		AM/FM - DAB	
Type	Flexi	Thread	M6
Lenght	220 mm		



Note Heavy duty and high flexible

**16V TYPE**

P/N: 7551038		AM/FM - DTT	
Type	16V	Thread	M6
Lenght	410 mm		



Note Antinoise Coil

**16V TYPE**

P/N: 7551040		AM/FM - DAB	
Type	16V	Thread	M6
Lenght	410 mm		



Note Antinoise Coil

**FIBERGLASS**

P/N: 7551045		AM/FM - DAB	
Type	Fiberglass	Thread	M6 Female
Lenght	400 mm		



Note Package include two adapters to change the M6 Female thead to M5 male or to M6 male

**16V TYPE**

P/N: 7551041		UHF	
Type	16V	Thread	M6
Lenght	260 mm		



**16V TYPE**

P/N: 7551042		VHF	
Type	16V	Thread	M6
Lenght	380 mm		



Note Tunable

**Rod for GSM Antennas**

**FIXED**

P/N: 7551028		GSM	
Type	OMNIDIRECTIONAL	Thread	M6
Lenght	50 mm		



**FIXED**

P/N: 7551029		GSM	
Type	OMNIDIRECTIONAL	Thread	M5
Lenght	60 mm		



# WE ARE PEOPLE BEHIND THE TECHNOLOGY

Calearo persegue costantemente una politica di continua ricerca e sviluppo. Pertanto si riserva il diritto di modificare le caratteristiche tecniche e/o estetiche dei suoi prodotti in qualsiasi momento e senza alcun preavviso.

Calearo has always pursued a policy of continuous research and development. Therefore the Company reserves the right to modify technical and/or aesthetical features of its products at any time and without prior notice.

Die Firma Calearo betreibt ständige Forschungs- und Entwicklungspolitik und behält sich das Recht vor, jederzeit technische und/oder ästhetischen Änderungen ihrer Produkte ohne vorherige Benachrichtigung vorzunehmen.

Calearo poursuit une politique continue de développement et d'amélioration et, par conséquent, se réserve tout droit de modifier les caractéristiques techniques et/ou esthétiques de ses produits à n'importe à quel moment et sans préavis.

Calearo apuesta por una política constante de desarrollo e innovación. Por lo que, se reserva el derecho de modificar las características tanto técnicas como estéticas de sus productos en cualquier momento y sin ningún preaviso.

Компания Calearo постоянно занимается исследованиями и разработками. Поэтому Компания оставляет за собой право изменять любые технические характеристики и/или дизайн своего продукта в любой момент без дополнительного уведомления.

Calearo heeft altijd een beleid van continue research en ontwikkeling nagestreeft. Daartoe behoudt het bedrijf het recht om te allen tijde en zonder voorafgaande kennisgeving technische en/of esthetische aanpassingen in haar producten te doen.

REV. 02/21

